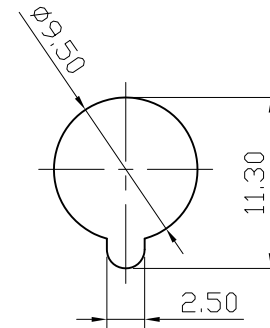
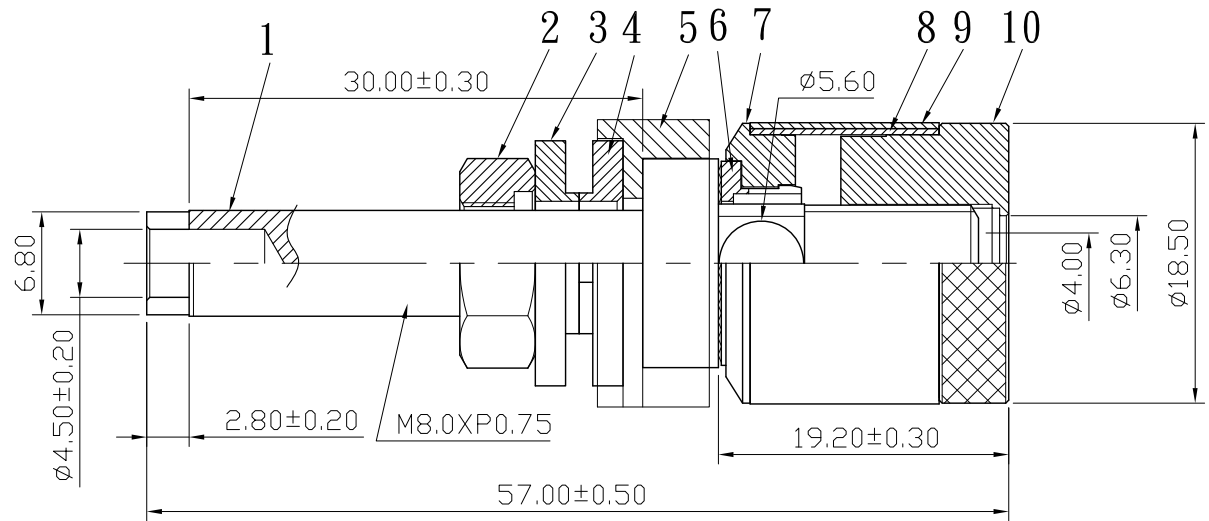
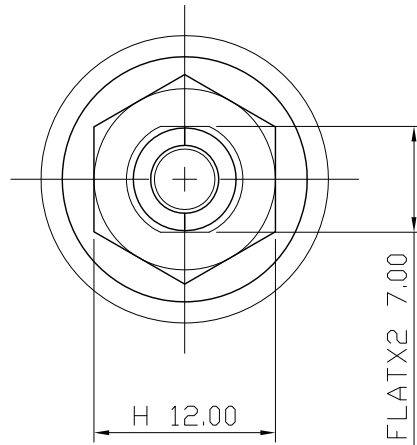
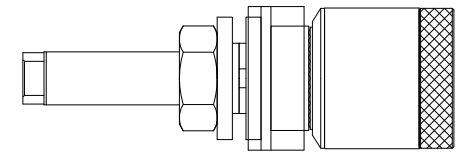


No.	DATE	DESCRIPTION	REV
△1	2014. 07. 03	Drawing to renew 圖面更新	A
△2	2015. 03. 10	Material revised (材質修正)	B



CASE HOLE DIMENSION



S 1 : 1

10	shell	1	brass	gold	
9	shell	1	black carbon fiber	nature	
8	sleeve	1	brass	nature	
7	ring	1	brass	gold	
6	washer	1	brass	gold	
5	shell	1	PC (polycarbonate)	transparent	
4	washer	1	plastic	black/red/white	
3	washer	1	plastic	black/red/white	
2	nut	1	brass	gold	
1	body	1	brass	gold	
NO.	Description	Unit	Materials	Finish	Drawing No.

DIMENSIONS ARE IN MILLIMETERS
UNLESS OTHERWISE SPECIFIED
TOLERANCES
(一般公差)
0.5~6 = ±0.2
>6~30 = ±0.4
>30~120 = ±0.6
>120~315 = ±1
>315~1000 = ±1.6
ANGLES(角度) = ±5°

CHECKED

DRAWN

Jim

DATE

2013. 04. 26



雅鈦企業有限公司
Aec Connectors Co., Ltd.

TITLE

BINDING POST

DRAWING NO.

BI-402ABKFGG-BK/RD/WE-30mm

FILE NO. DRAWING\AUDIO\BI\BI-402ABKFGG-BK/RD/WE-30mm

SCALE 2 : 1 UNIT MM