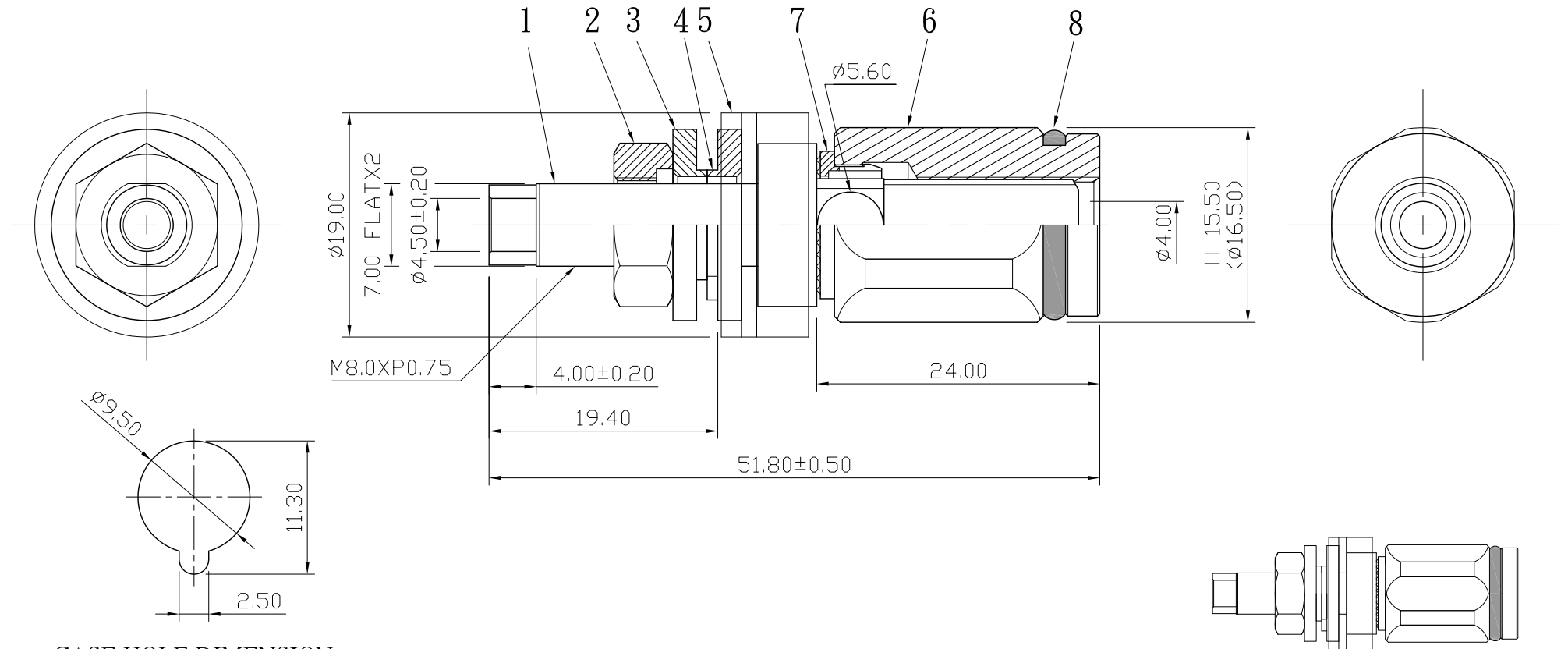



REMARK : RoHS REQUIREMENT APPLIED  
(符合RoHS)



CASE HOLE DIMENSION

S 1 : 1

8	color ring	1	rubber	red/white		DIMENSIONS ARE IN MILLIMETERS UNLESS OTHERWISE SPECIFIED TOLERANCES (一般公差) 0.5~6 = ±0.2 >6~30 = ±0.4 >30~120 = ±0.6 >120~315 = ±1 >315~1000 = ±1.6 ANGLES(角度) = ±5°	CHECKED	 雅鈦企業有限公司 Aec Connectors Co., Ltd.	
7	sleeve	1	brass	gold			DRAWN <i>Jordan</i>		TITLE BINDING POST
6	shell	1	brass	mattle black coated					DATE 2017.06.14
5	shell	1	PC (polycarbonate)	transparent				FILE NO. DRAWING\僅供參考\AUDIO\BI\BI-210MBCG-RD&WE-20mm	
4	washer	1	plastic	red/white					
3	washer	1	plastic	red/white					
2	hexagon nut	1	brass	gold					
1	body	1	brass	gold					
NO.	Description	Unit	Materials	Finish	Drawing No.	SCALE	2 : 1	UNIT	MM