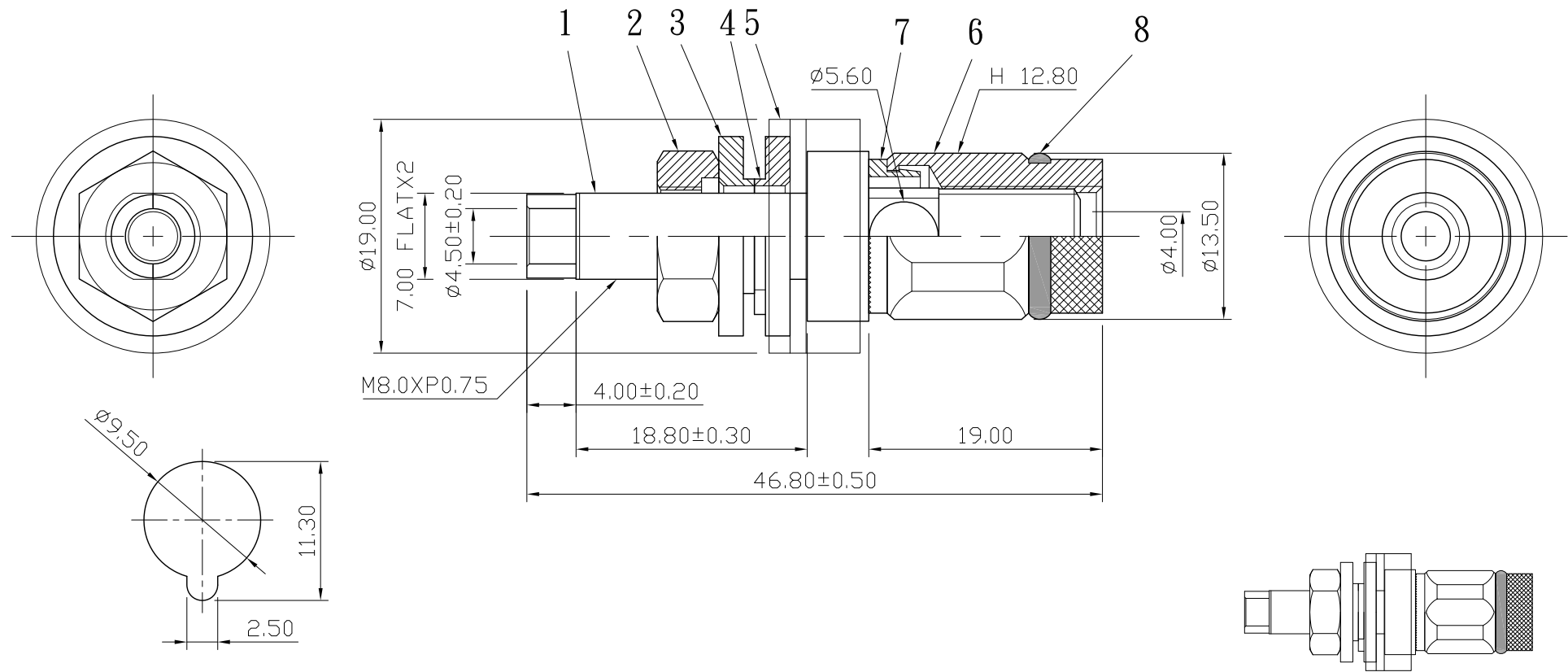
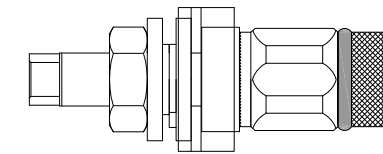


No.	DATE	DESCRIPTION	REV
△	2015. 03. 10	Material revised (材質修正)	A

REMARK : RoHS REQUIREMENT APPLIED
(符合RoHS)



CASE HOLE DIMENSION



S 1 : 1

8	color ring	1	rubber	red/white/black	
7	sleeve	1	brass	gold	
6	shell	1	brass	mattle black coated	
5	shell	1	PC (polycarbonate)	transparent	
4	washer	1	plastic	red/white/black	
3	washer	1	plastic	red/white/black	
2	hexagon nut	1	brass	gold	
1	body	1	brass	gold	
NO.	Description	Unit	Materials	Finish	Drawing No.

DIMENSIONS ARE IN MILLIMETERS
UNLESS OTHRWISE PECIFIED TOLERANCES
(一般公差)
0.5~6 = ±0.2
>6~30 = ±0.4
>30~120 = ±0.6
>120~315 = ±1
>315~1000 = ±1.6
ANGLES(角度) = ±5°

CHECKED

DRAWN

Jim

DATE

2011. 07. 01



雅鈦企業有限公司
Aec Connectors Co., Ltd.

TITLE

BINDING POST

DRAWING NO.

BI-209MBCG-RD/WE/BK-20mm

FILE NO. DRAWING\AUDIO\BI\BI-209MBCG-RD/WE/BK-20mm

SCALE 2 : 1 UNIT MM