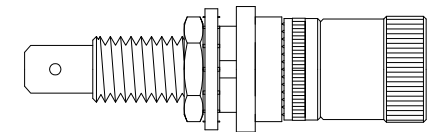
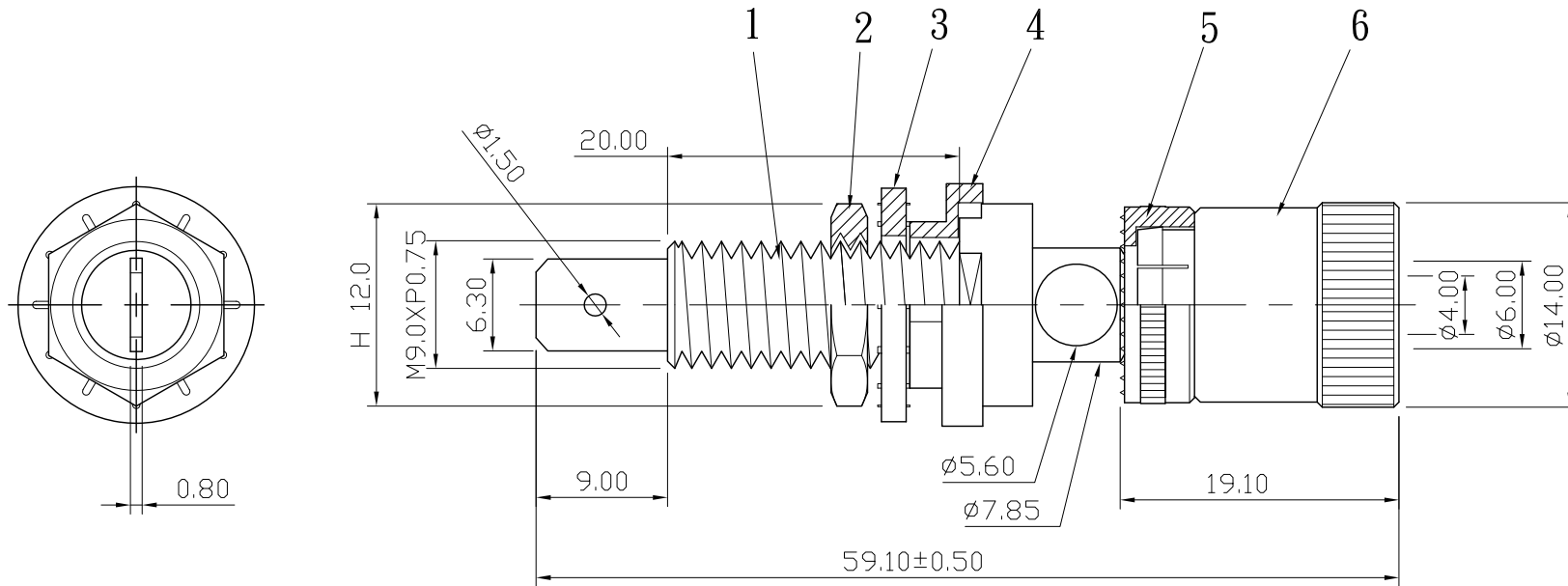



REMARK : RoHS REQUIREMENT APPLIED
(符合RoHS)



S 1 : 1

NO.	Description	Unit	Materials	Finish	Drawing No.	SCALE	2 : 1	UNIT	MM	CHECKED	 雅鈦企業有限公司 Aec Connectors Co., Ltd.				
7						DIMENSIONS ARE IN MILLIMETERS UNLESS OTHERWISE SPECIFIED TOLERANCES (一般公差) 0.5~6 = ±0.2 >6~30 = ±0.4 >30~120 = ±0.6 >120~315 = ±1 >315~1000 = ±1.6 ANGLES(角度) = ±5°				TITLE					
6	sleeve	1	brass	gold											DRAWN
5	gasket	1	brass	gold											<i>Lala</i>
4	washer	1	PA66 nylon	black/red											DATE
3	washer	1	PA66 nylon	black/red										2009. 09. 14	
2	nut	1	brass	gold							DRAWING NO.				
1	body	1	brass	gold							BI-206GG-BK/RD-20mm				
											FILE NO. DRAWING\AUDIO\BI-206GG-BK/RD-20mm				