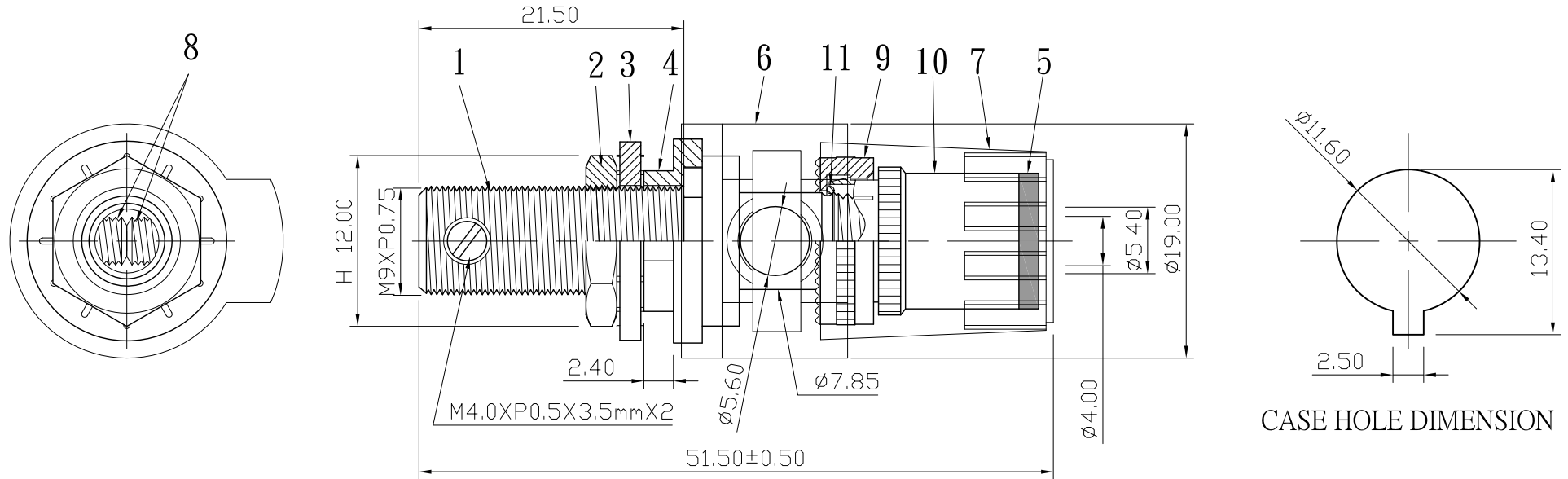


No.	DATE	DESCRIPTION	REV
△	2015. 02. 05	Material revised (材質修正)	A

REMARK : RoHS REQUIREMENT APPLIED
(符合RoHS)



11	C ring	1	SWC	gold	
10	sleeve	1	brass	gold	
9	gasket	1	brass	gold	
8	screw	2	brass	gold	SCREW-104G-M4XP0.5X3.5mm
7	shell	1	PC (polycarbonate)	transparent	
6	shell	1	PC (polycarbonate)	transparent	
5	color ring	1	PE207	red/black/white	
4	washer	1	PA66 nylon	red/black/white	
3	washer	1	PA66 nylon	red/black/white	
2	nut	1	brass	gold	
1	body	1	brass	gold	
NO.	Description	Unit	Materials	Finish	Drawing No.

DIMENSIONS ARE IN MILLIMETERS
UNLESS OTHERWISE SPECIFIED
TOLERANCES
(一般公差)
0.5~6 = ±0.2
>6~30 = ±0.4
>30~120 = ±0.6
>120~315 = ±1
>315~1000 = ±1.6
ANGLES(角度) = ±5°

CHECKED

DRAWN
Jim
DATE
2008. 01. 22

 雅鈦企業有限公司
Aec Connectors Co., Ltd.

TITLE
BIDING POST

DRAWING NO.
BI-203RD/BK/WEPLG-RD/BK/WE-20mm

FILE NO. DRAWING\AUDIO\BI\BI-203RD/BK/WEPLG-RD/BK/WE-20mm

SCALE 2 : 1 UNIT MM