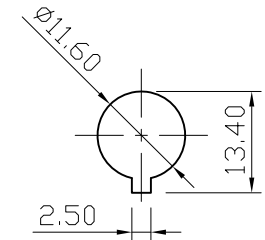
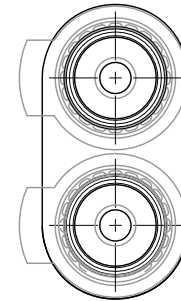
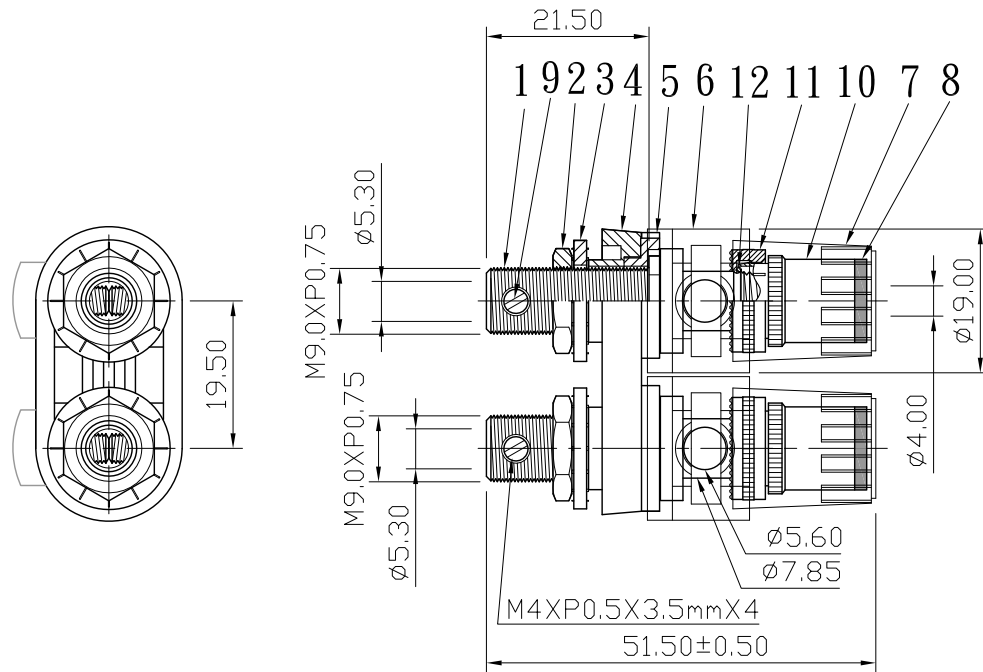
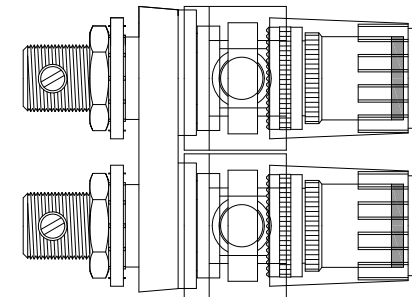


No.	DATE	DESCRIPTION	REV
△	2015. 02. 05	Material revised (材質修正)	A

REMARK : RoHS REQUIREMENT APPLIED
(符合RoHS)



CASE HOLE DIMENSION



S 1 : 1

12	C ring	2	SWC	gold	
11	gasket	2	brass	gold	
10	sleeve	2	brass	gold	
9	screw	4	brass	gold	SCREW-104G-M4XP0.5X3.5mm
8	color ring	2	PE 207	red/black/white	
7	shell	2	PC (polycarbonate)	transparent	
6	shell	2	PC (polycarbonate)	transparent	
5	washer	2	PA66 尼龍	red/black/white	
4	bridge	1	plastic	red/black/white	
3	washer	2	PA66 尼龍	red/black/white	
2	nut	2	brass	gold	
1	body	2	brass	gold	
NO.	Description	Unit	Materials	Finish	Drawing No.

DIMENSIONS ARE IN
MILLIMETERS
UNLESS OTHERWISE PECIFIED
TOLERANCES
(一般公差)
0.5~6 = ±0.2
>6~30 = ±0.4
>30~120 = ±0.6
>120~315 = ±1
>315~1000 = ±1.6
ANGLES(角度) = ±5°

SCALE 1 : 1 UNIT MM

CHECKED

DRAWN

Jim

DATE

2008. 01. 22



雅鈦企業有限公司
Aec Connectors Co., Ltd.

TITLE

BINDING POST

DRAWING NO.

BI-202RD/BK/WEPLG-RD&BK&WE-20mm

FILE NO. DRAWINGAUDIO\BI-202RD/BK/WEPLG-RD&BK&WE-20mm