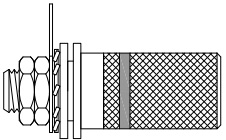
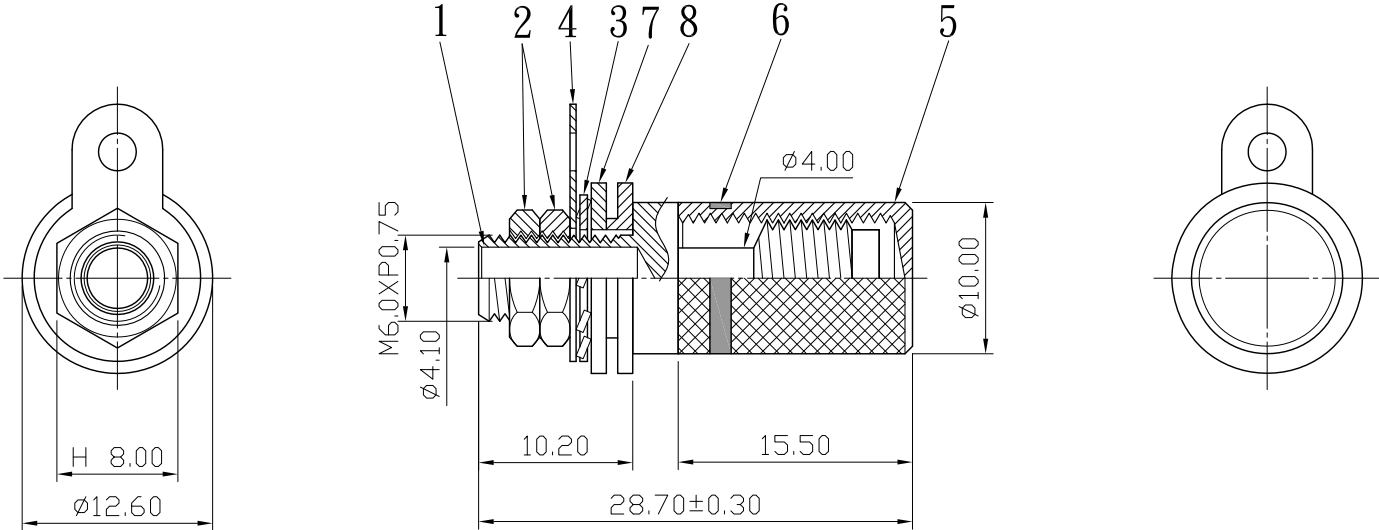


REMARK : RoHS REQUIREMENT APPLIED  
(符合RoHS)



S 1 : 1

8	washer	1	plastic	white	
7	washer	1	plastic	white	
6	color ring	1	PVC	black/red	
5	shell	1	brass	gold	
4	solder tab	1	bronze	gold	
3	washer	1	brass	gold	
2	nut	2	brass	gold	
1	body	1	brass	gold	
NO.	Description	Unit	Materials	Finish	Drawing No.

DIMENSIONS ARE IN MILLIMETERS  
UNLESS OTHERWISE SPECIFIED  
TOLERANCES  
(一般公差)  
0.5~6 = ±0.2  
>6~30 = ±0.4  
>30~120 = ±0.6  
>120~315 = ±1  
>315~1000 = ±1.6  
ANGLES(角度) = ±5°

SCALE	2 : 1	UNIT	MM
-------	-------	------	----

CHECKED	
DRAWN	<i>Tina</i>
DATE	2012. 12. 03



雅鈦企業有限公司  
Aec Connectors Co., Ltd.

TITLE	BINDING POST
DRAWING NO.	BI-123GG-BK/RD-10mm
FILE NO.	DRAWING\AUDIO\BI\BI-123GG-BK/RD-10mm