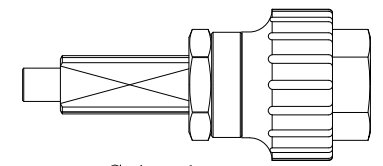
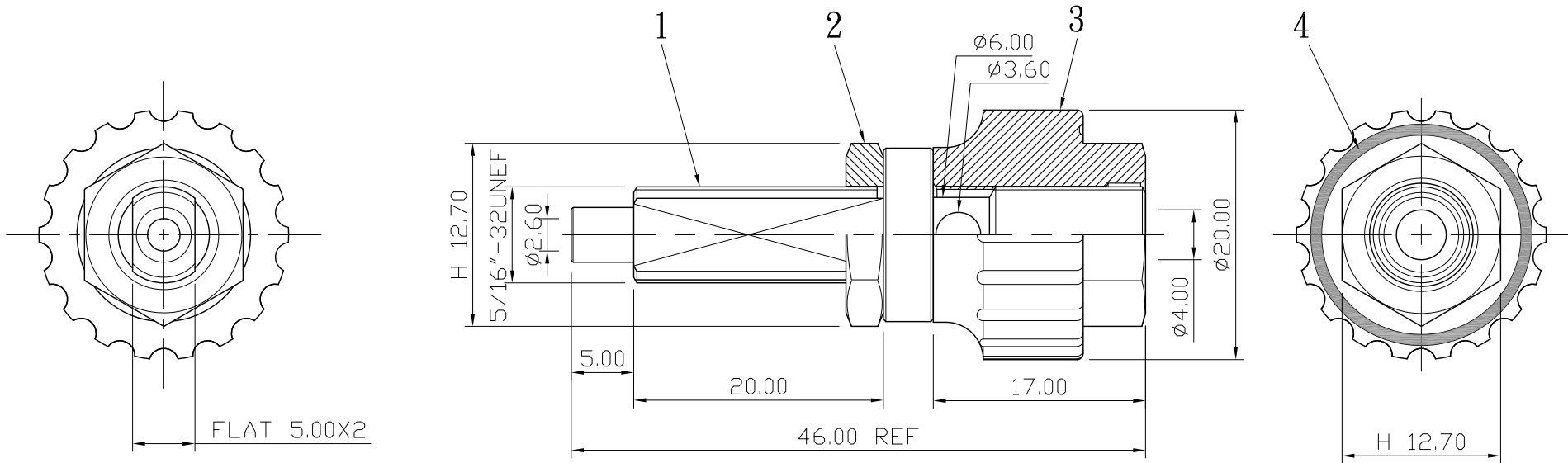



REMARK : RoHS REQUIREMENT APPLIED  
(符合RoHS)



S 1 : 1

7						DIMENSIONS ARE IN MILLIMETERS  UNLESS OTHERWISE PECIFIED TOLERANCES (一般公差) 0.5~6 = ±0.2 >6~30 = ±0.4 >30~120 = ±0.6 >120~315 = ±1 >315~1000 = ±1.6 ANGLES(角度) = ±5°	CHECKED	 <b>雅鈦企業有限公司</b> Aec Connectors Co., Ltd.
6					DRAWN		TITLE	
5							<i>Tina</i>	
4	color ring	1	painting	black/red			DATE	DRAWING NO.
3	head lock	1	brass	gold			2012. 08. 20	BI-122GG-SH3.6-BK/RD-20mm
2	hexagon nut	1	brass	gold			FILE NO. DRAWING\AUDIO\BI\BI-122GG-SH3.6-BK/RD-20mm	
1	body	1	brass	gold				
NO.	Description	Unit	Materials	Finish	Drawing No.	SCALE	UNIT	MM
						2 : 1		