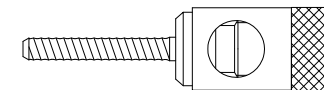
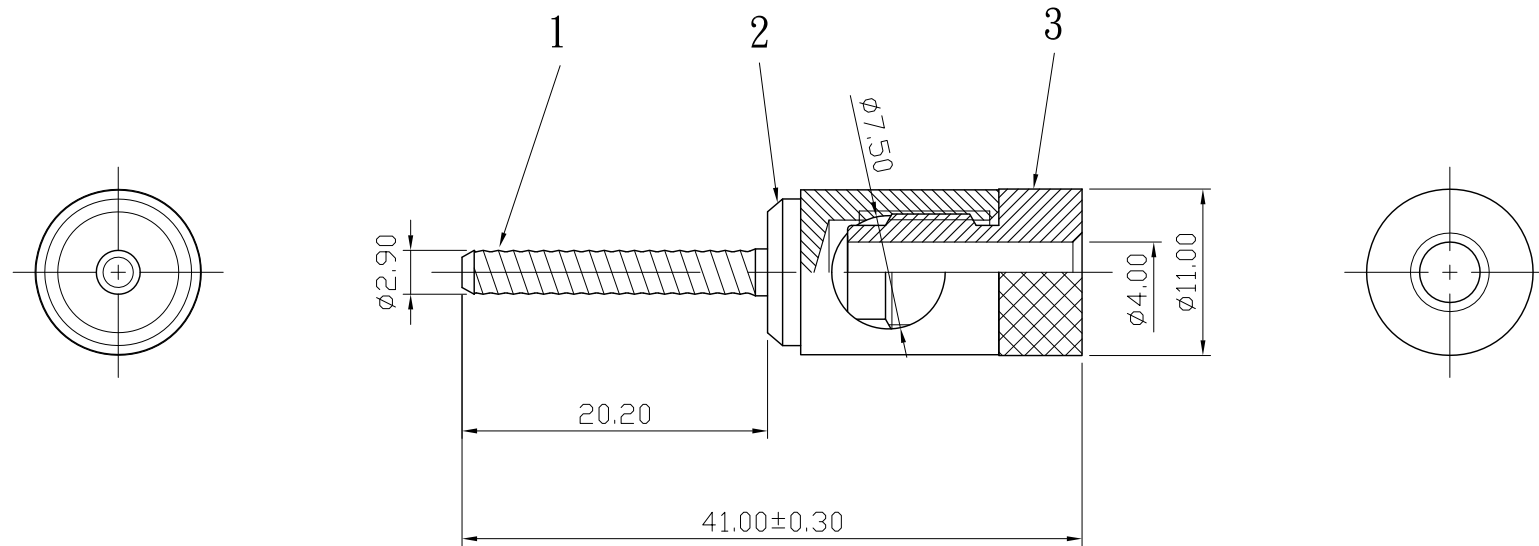



REMARK : RoHS REQUIREMENT APPLIED
(符合RoHS)



S 1 : 1

7						DIMENSIONS ARE IN MILLIMETERS UNLESS OTHERWISE SPECIFIED TOLERANCES (一般公差) 0.5~6 = ±0.2 >6~30 = ±0.4 >30~120 = ±0.6 >120~315 = ±1 >315~1000 = ±1.6 ANGLES(角度) = ±5°	CHECKED	 雅鈦企業有限公司 Aec Connectors Co., Ltd.		
6					DRAWN		TITLE			
5							<i>Jim</i>	BINDING POST		
4								DRAWING NO.		
3	headlock	1	brass	gold				BI-119GG-SH7.5-BK/RD-20mm		
2	gasket	1	plastic	black/red				FILE NO. DRAWING\AUDIO\BI\BI-119GG-SH7.5-BK/RD-20mm		
1	body	1	brass	gold			DATE			
NO.	Description	Unit	Materials	Finish	Drawing No.	SCALE	2 : 1	UNIT	MM	2012. 06. 28