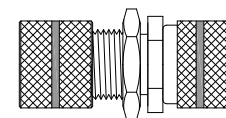
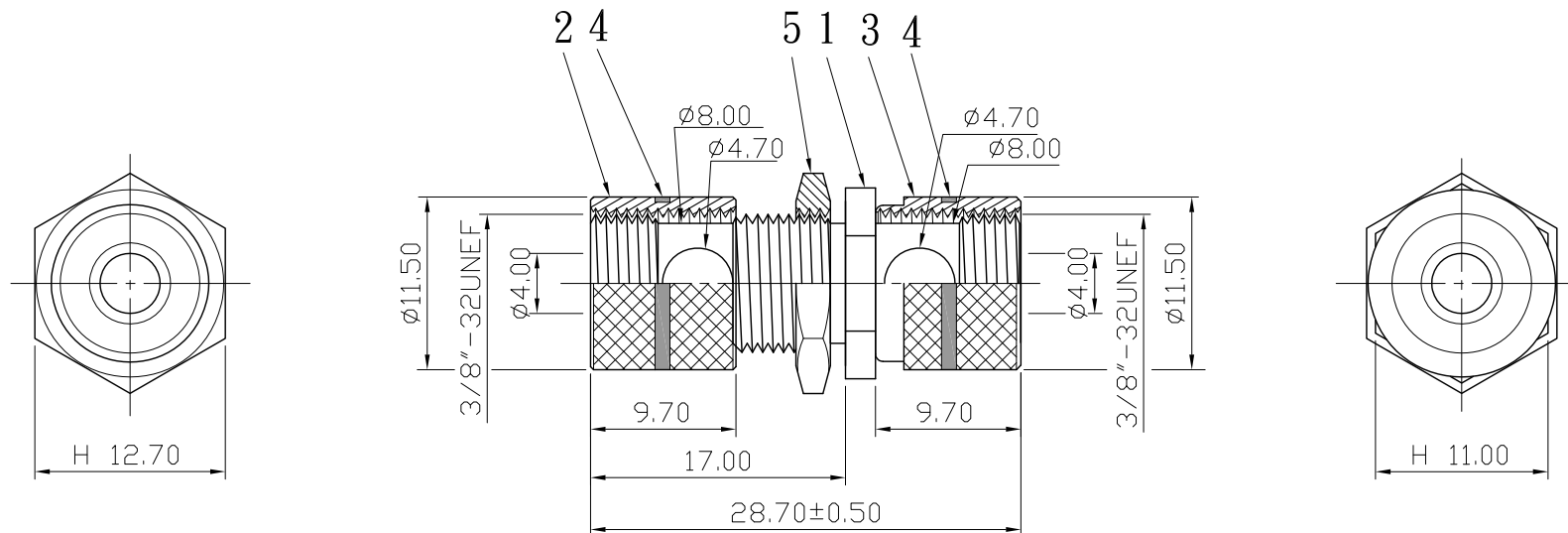



No.	DATE	DESCRIPTION	REV
△	2009. 08. 21	Drawing to renew 圖面更新	A

REMARK : RoHS REQUIREMENT APPLIED  
(符合RoHS)



S 1 : 1

7						DIMENSIONS ARE IN MILLIMETERS  UNLESS OTHERWISE PECIFIED TOLERANCES (一般公差) 0.5~6 = ±0.2 >6~30 = ±0.4 >30~120 = ±0.6 >120~315 = ±1 >315~1000 = ±1.6 ANGLES(角度) = ±5°	CHECKED	 <b>雅鈦企業有限公司</b> Aec Connectors Co., Ltd.	
6					DRAWN <i>Lala</i>				TITLE <b>BINDING POST</b>
5	nut	1	brass	gold					DATE 2008. 01. 28
4	color ring	2	pvc	blue/black/green/ red/white/yellow					FILE NO. DRAWING\AUDIO\BI\BI-118GG-BE/BK/GN/RD/WE/YW-20mm
3	headlock	1	brass	gold					
2	headlock	1	brass	gold					
1	body	1	brass	gold					
NO.	Description	Unit	Materials	Finish	Drawing No.	SCALE	2 : 1	UNIT	MM