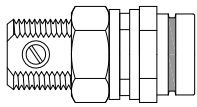
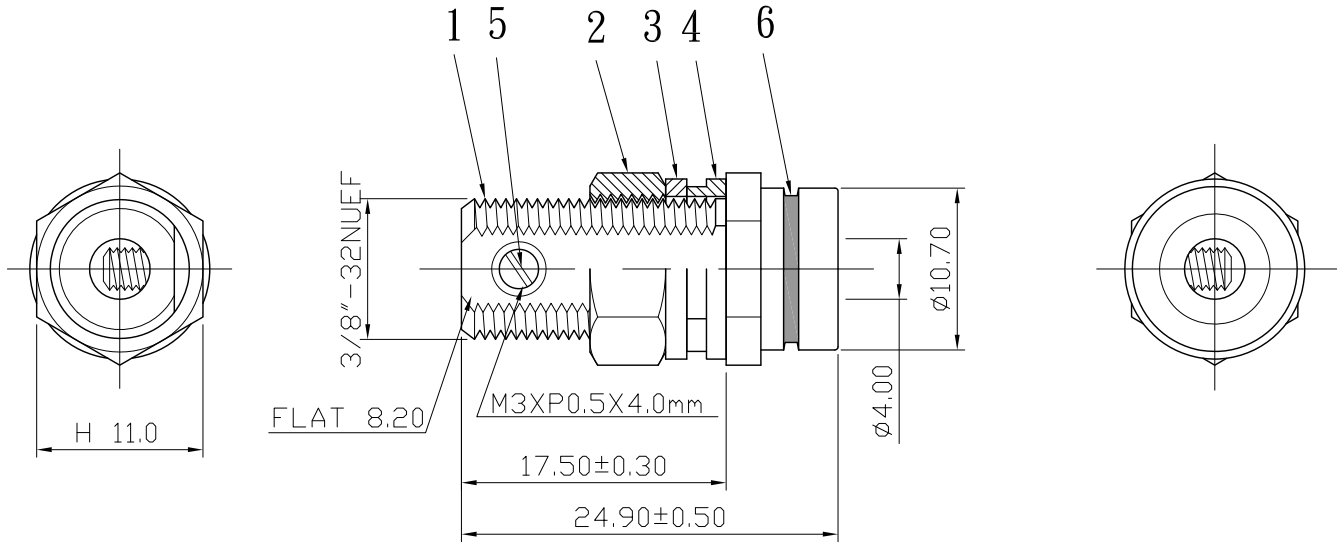



REMARK : RoHS REQUIREMENT APPLIED
(符合RoHS)



S 1 : 1

| | | | | | | | | | |
|-----|-------------|------|-----------|--------------------------------------|--------------------------|---|--------------------|---|--|
| 7 | | | | | | DIMENSIONS ARE IN MILLIMETERS UNLESS OTHERWISE SPECIFIED TOLERANCES (一般公差) 0.5~6 = ±0.2 >6~30 = ±0.4 >30~120 = ±0.6 >120~315 = ±1 >315~1000 = ±1.6 ANGLES(角度) = ±5° | CHECKED |  雅鈦企業有限公司 Aec Connectors Co., Ltd. | |
| 6 | color ring | 1 | dripping | red/black/blue white/yellow/green | | | | | DRAWN <i>Lala</i> |
| 5 | screw | 1 | brass | gold | SCREW-103G-M3XP0.5X4.0mm | | DATE 2008.09.11 | | |
| 4 | washer | 1 | plastic | transparent | | | | | FILE NO. DRAWING\AUDIO\B\BI-113HG-BK/RD/BE/WE/YW/GN-20mm |
| 3 | washer | 1 | plastic | transparent | | | | | |
| 2 | nut | 1 | brass | gold | | | | | |
| 1 | body | 1 | brass | gold | | | | | |
| NO. | Description | Unit | Materials | Finish | Drawing No. | SCALE 2 : 1 | UNIT MM | | |