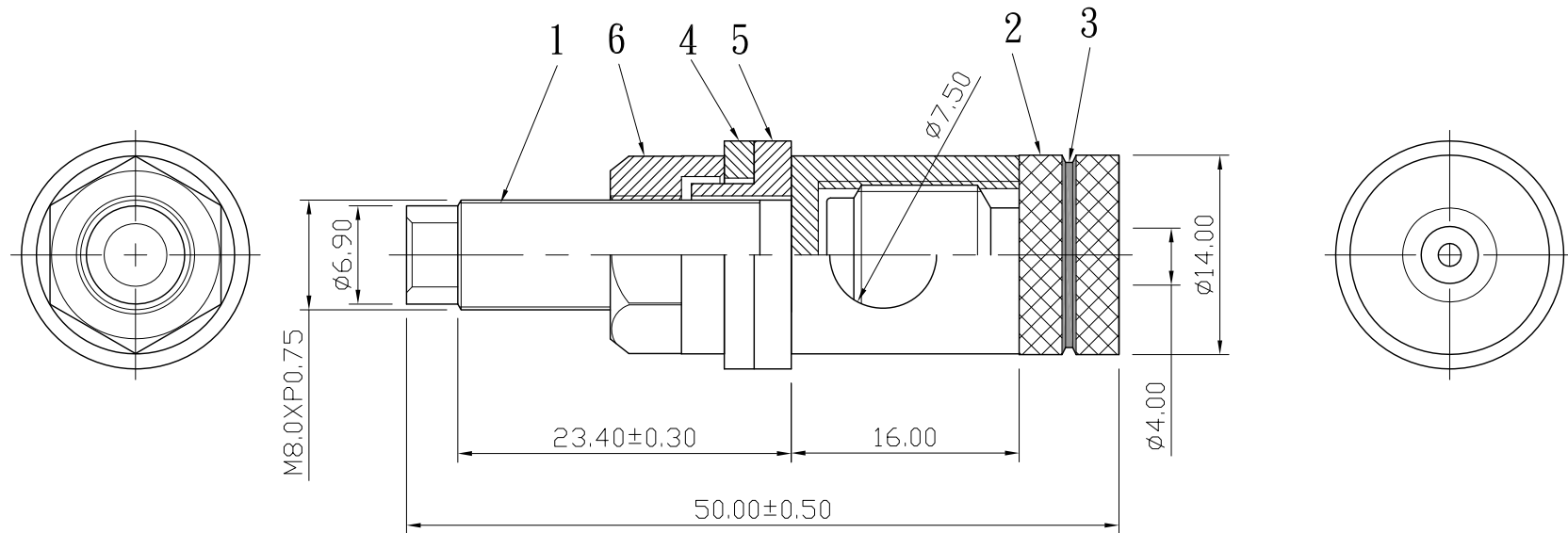



No.	DATE	DESCRIPTION	REV
△	2013. 07. 19	Drawing to renew 圖面更新	A

REMARK : RoHS REQUIREMENT APPLIED
(符合RoHS)



S 1 : 1

7						DIMENSIONS ARE IN MILLIMETERS UNLESS OTHERWISE SPECIFIED TOLERANCES (一般公差) 0.5~6 = ±0.2 >6~30 = ±0.4 >30~120 = ±0.6 >120~315 = ±1 >315~1000 = ±1.6 ANGLES(角度) = ±5°	CHECKED	 雅鈦企業有限公司 Aec Connectors Co., Ltd.	
6	hexagon nut	1	brass	gold			DRAWN		TITLE
5	washer	1	plastic	white			<i>Jim</i>		BINDING POST
4	washer	1	plastic	white			DATE	DRAWING NO.	
3	color ring	1	dripping	black/red			2008. 03. 25	BI-106GG-SH7.5-BK/RD-20mm	
2	headlock	1	brass	gold			FILE NO.	DRAWING\AUDIO\BI\BI-106GG-SH7.5-BK/RD-20mm	
1	body	1	brass	gold					
NO.	Description	Unit	Materials	Finish	Drawing No.	SCALE	2 : 1	UNIT	MM