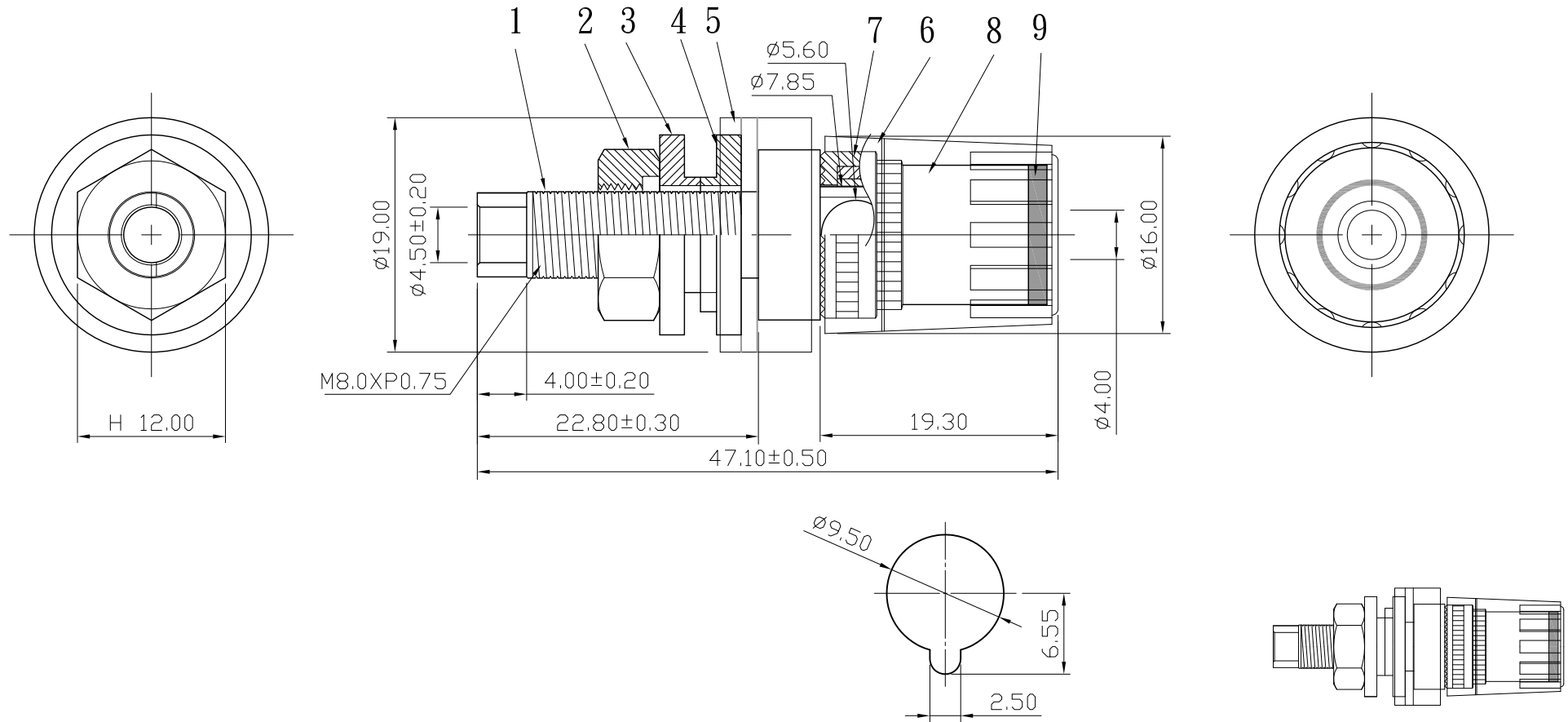


No.	DATE	DESCRIPTION	REV
△1	2008. 05. 12	Drawing updated (圖面更新)	A
△2	2015. 02. 05	Material revised (材質修正)	B

REMARK : RoHS REQUIREMENT APPLIED
(符合RoHS)



9	color ring	1	PE 207	red/black/white	
8	shell	1	brass	gold	
7	ring	1	brass	gold	
6	shell	1	PC (polycarbonate)	transparent	
5	shell	1	PC (polycarbonate)	transparent	
4	washer	1	PA 66 nylon	red/black/white	
3	washer	1	PA 66 nylon	red/black/white	
2	hexagon nut	1	brass	gold	
1	body	1	brass	gold	
NO.	Description	Unit	Materials	Finish	Drawing No.

CASE HOLE DIMENSION

DIMENSIONS ARE IN
MILLIMETERS
UNLESS OTHERWISE PECIFIED
TOLERANCES
(一般公差)
0.5~6 = ±0.2
>6~30 = ±0.4
>30~120 = ±0.6
>120~315 = ±1
>315~1000 = ±1.6
ANGLES(角度) = ±5°

CHECKED

DRAWN

Jim

DATE

2008. 01. 18



雅鈦企業有限公司
Aec Connectors Co., Ltd.

TITLE

BINDING POST

DRAWING NO.

BI-110RD/BK/WEPLG-RD/BK/WE-20mm

FILE NO. DRAWING\AUDIO\BI\BI-110RD/BK/WEPLG-RD/BK/WE-20mm

SCALE 2 : 1 UNIT MM