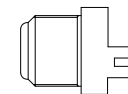
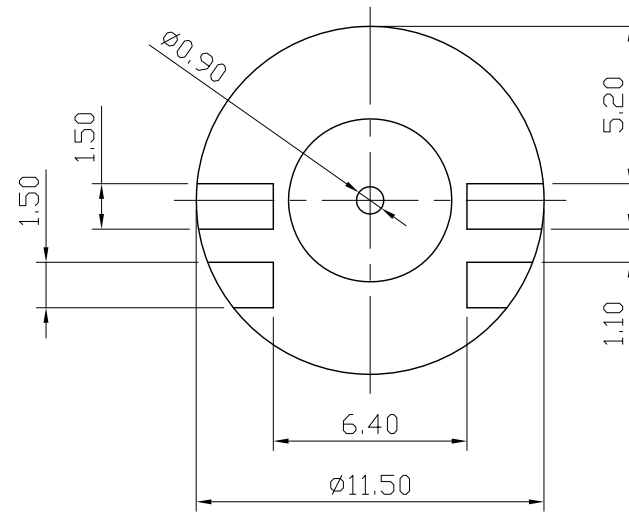
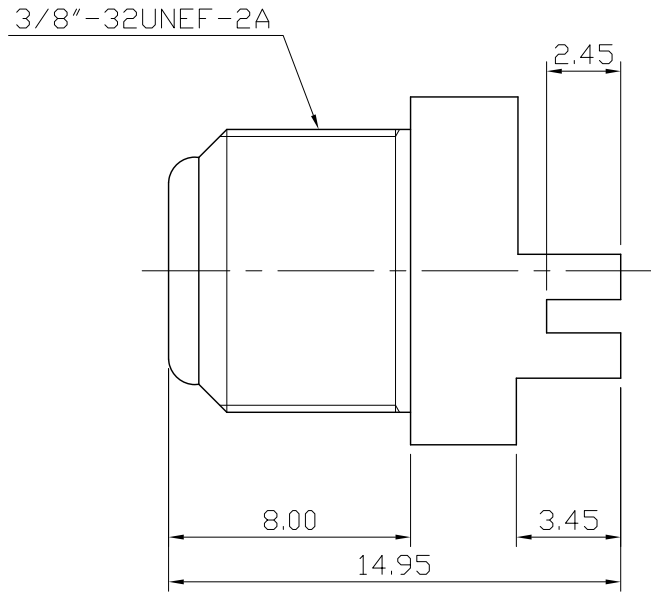



No.	DATE	DESCRIPTION	REV	REMARK : RoHS REQUIREMENT APPLIED (符合RoHS)	DATE	DRAWING NO.
-----	------	-------------	-----	---	------	-------------



S 1 : 1

-						DIMENSIONS ARE IN MILLIMETERS  UNLESS OTHERWISE PECIFIED TOLERANCES (一般公差) 0.5~6 = ±0.2 >6~30 = ±0.4 >30~120 = ±0.6 >120~315 = ±1 >315~1000 = ±1.6 ANGLES(角度) = ±5°	CHECKED	 <b>雅鈦企業有限公司</b> Aec Connectors Co., Ltd.			
-	body	1	brass	nickel			DRAWN		TITLE		
-	contact pin	1	phosphor bronze	tin			<i>Tina</i>	F TYPE JACK STR. FOR PCB, 75 OHM			
-	insulator	1	PTFE	white			DATE	DRAWING NO.			
-	insulator	1	PTFE	white			2012. 06. 15	FS-1024NTT-SA0027			
NO.	Description	Unit	Materials	Finish	Drawing No.		SCALE	4 : 1	UNIT	MM	FILE NO.