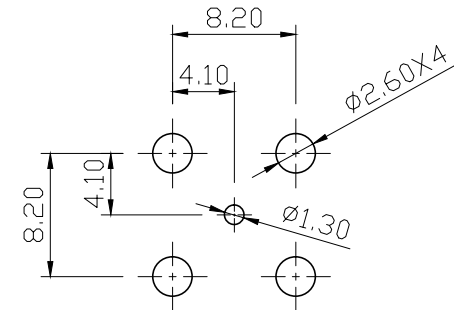
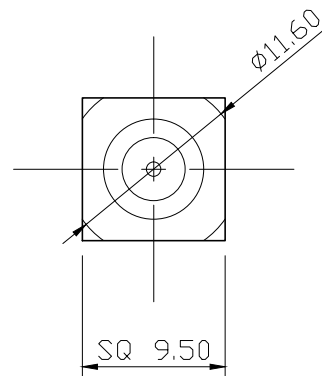
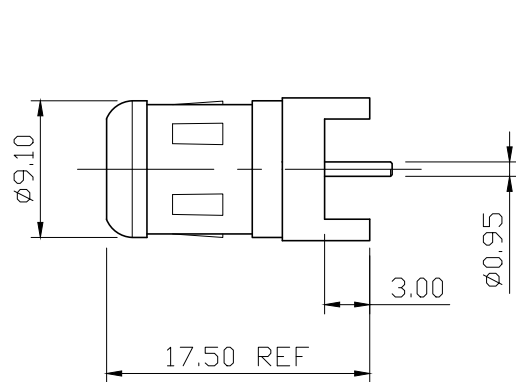
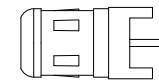



REMARK : RoHS REQUIREMENT APPLIED  
(符合RoHS)



P.C.B. LAYOUT  
(印刷电路板配置)



S 1 : 1

-	spring	1	phosphor bronze	tin		DIMENSIONS ARE IN MILLIMETERS			CHECKED	 <b>雅鈦企業有限公司</b> Aec Connectors Co., Ltd.	
-	lock ring	1	brass	tin							
-	insulator	1	delrin	white		UNLESS OTHERWISE SPECIFIED TOLERANCES (一般公差) 0.5~6 = ±0.2 >6~30 = ±0.4 >30~120 = ±0.6 >120~315 = ±1 >315~1000 = ±1.6 ANGLES(角度) = ±5°			DRAWN <i>Ben</i>		TITLE F FEMALE PCB MOUNT
-	insulator	1	P.P	white							DATE 2011. 02. 22
-	contact pin	1	phosphor bronze	tin		SCALE	2 : 1	UNIT	MM	FILE NO. DRAWING\RF\FS\FS-1021TPT-SA027	
-	contact pin	1	brass	tin		NO.	Description	Unit	Materials	Finish	Drawing No.
-	contact body	1	brass	tin							