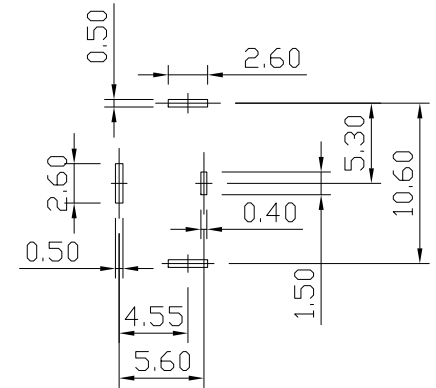
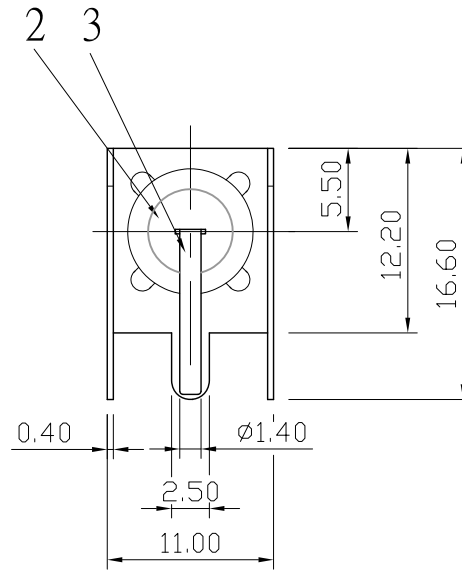
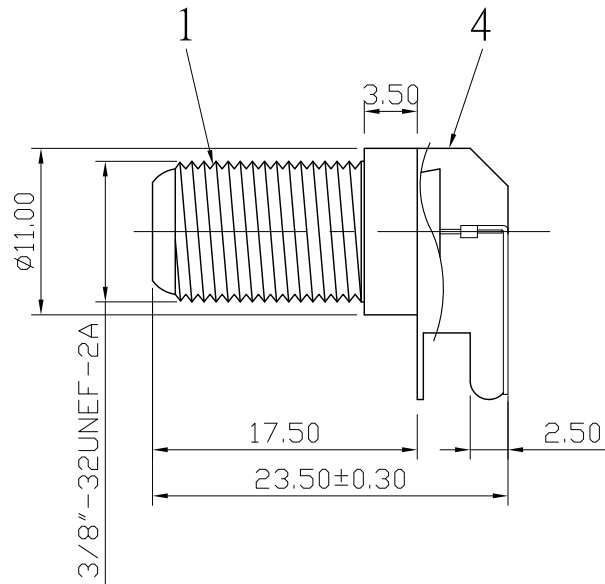
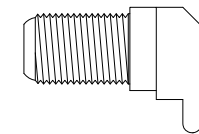



No.	DATE	DESCRIPTION	REV	REMARK : RoHS REQUIREMENT APPLIED (符合RoHS)	DATE	DRAWING NO.
					2009. 02. 24	FSB-1056NT-P.P(75)



P.C.B. LAYOUT
(印刷电路板配置)



S 1 : 1

7						DIMENSIONS ARE IN MILLIMETERS UNLESS OTHERWISE PECIFIED TOLERANCES (一般公差) 0.5~6 = ±0.2 >6~30 = ±0.4 >30~120 = ±0.6 >120~315 = ±1 >315~1000 = ±1.6 ANGLES(角度) = ±5°	CHECKED	 雅鈦企業有限公司 Aec Connectors Co., Ltd.	
6					DRAWN		TITLE		
5					<i>Lala</i>		RIGHT ANGLE F FEMALE PCB MOUNT		
4	braket	1	SS41	tin			DATE	DRAWING NO.	
3	contact pin	1	brass	tin			2007. 08. 23	FS-1020NPT-RA0027	
2	insulator	1	P.P	white			FILE NO.	DRAWING\RF\FS\FS-1020NPT-RA0027	
1	body	1	brass	nickel					
NO.	Description	Unit	Materials	Finish	Drawing No.	SCALE	2 : 1	UNIT	MM