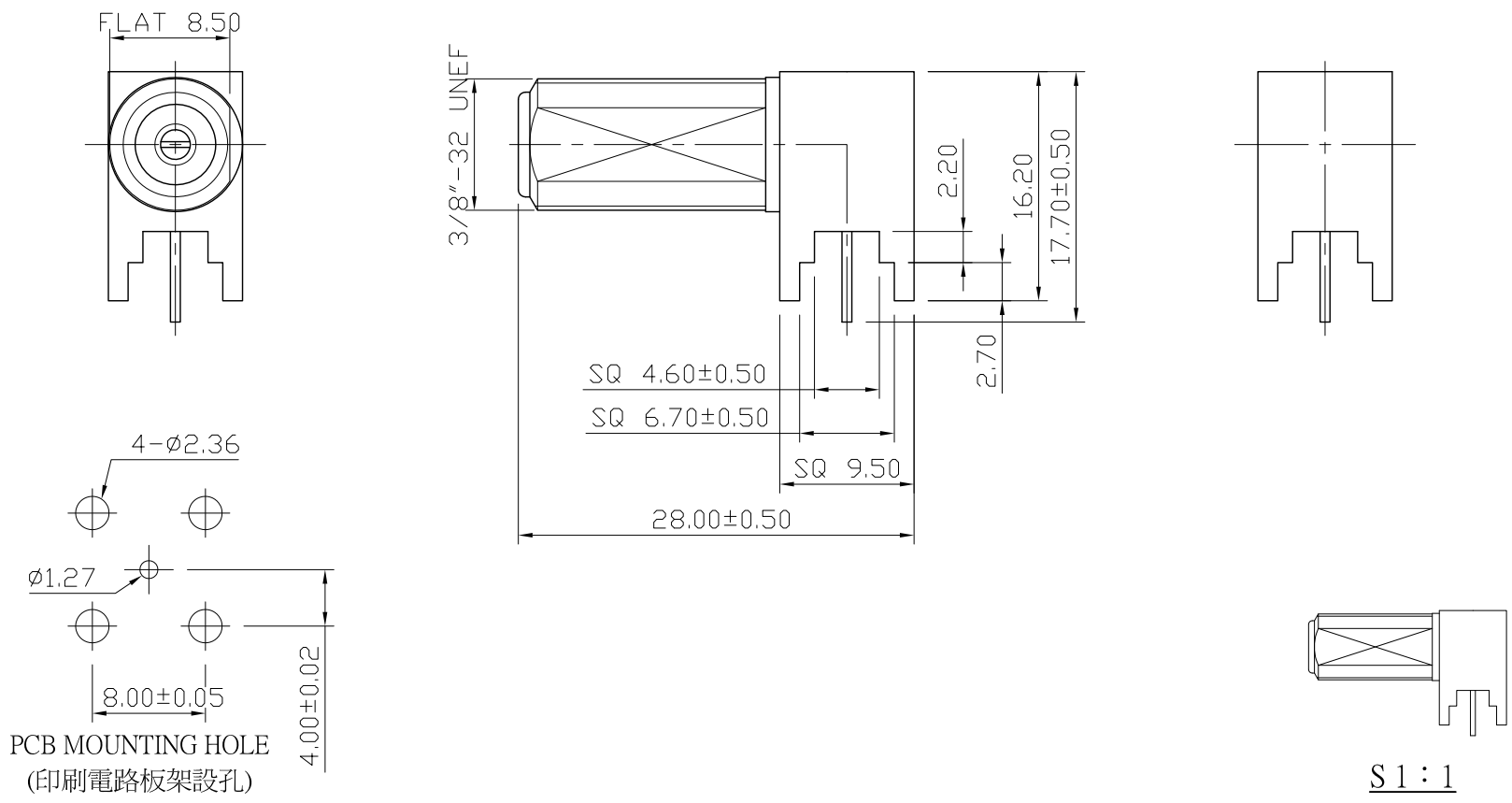



No.	DATE	DESCRIPTION	REV	REMARK : RoHS REQUIREMENT APPLIED (符合RoHS)	DATE	DRAWING NO.
△1	2008. 12. 04	Drawing to renew 圖面更新	A		2008. 08. 08	FS-1022NN-DEL+P.P(75)
△2	2012. 06. 25	Drawing to renew 圖面更新	B			



S 1 : 1

-					DIMENSIONS ARE IN MILLIMETERS UNLESS OTHERWISE SPECIFIED TOLERANCES (一般公差) 0.5~6 = ±0.2 >6~30 = ±0.4 >30~120 = ±0.6 >120~315 = ±1 >315~1000 = ±1.6 ANGLES(角度) = ±5°	CHECKED	 雅鈦企業有限公司 Aec Connectors Co., Ltd.		
-	insulaotr	1	POM	white		DRAWN <i>Tina</i>		TITLE RIGHT ANGLE F FEMALE PCB MOUNT	
-	insulaotr	1	POM	white				DATE 2008. 01. 10	DRAWING NO. FS-1018NDN-RA0027
-	insulaotr	1	P.P	white			FILE NO. DRAWING\RF\FFS\FS-1018NDN-RA0027		
-	contact pin	1	brass	nickel					
-	contact pin	1	brass	tin					
-	body	1	brass	nickel					
NO.	Description	Unit	Materials	Finish	Drawing No.	SCALE	2 : 1	UNIT	MM