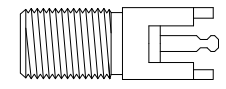
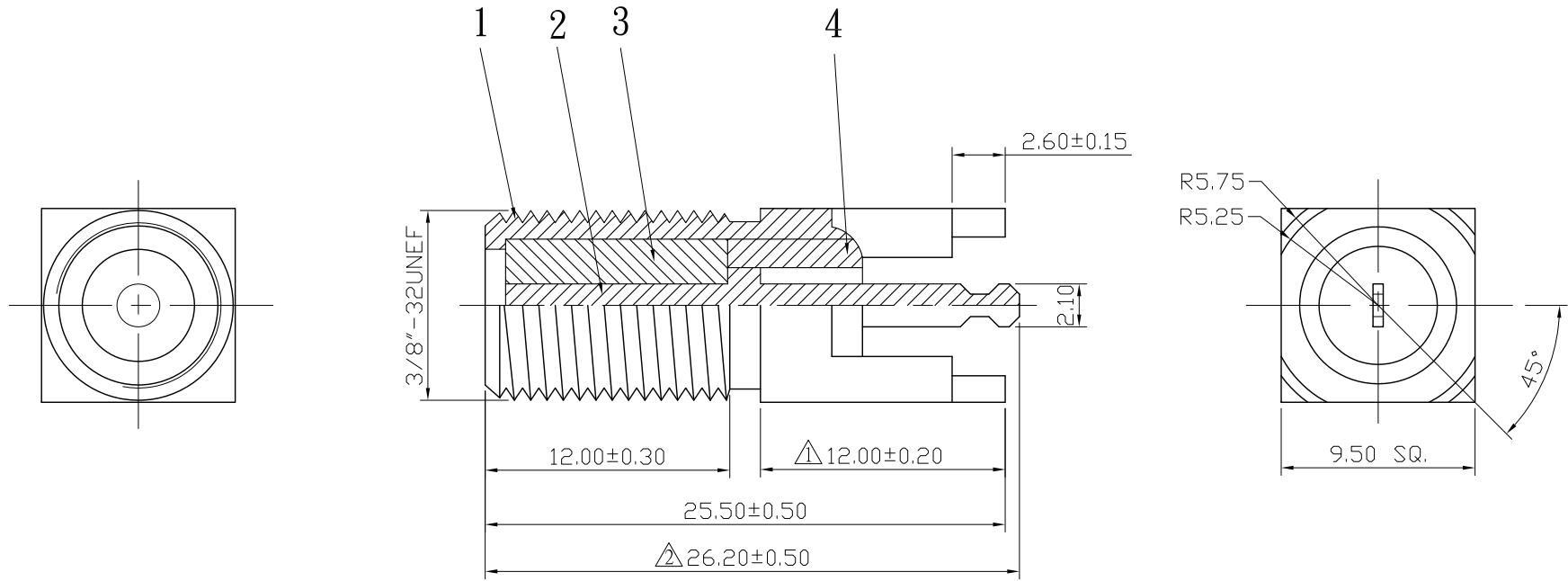



No.	DATE	DESCRIPTION	REV	REMARK : RoHS REQUIREMENT APPLIED (符合RoHS)	DATE	DRAWING NO.
△1	2009. 01. 19	Original dimation 12.2±0.20	A		2009. 01. 19	FS-1020NT-P.P(75)
△2	2009. 01. 19	Original dimation 26.0±0.50				



S 1 : 1

7						DIMENSIONS ARE IN MILLIMETERS	CHECKED	 雅鈦企業有限公司 Aec Connectors Co., Ltd.			
6									UNLESS OTHRWISE PECIFIED TOLERANCES (一般公差) 0.5~6 = ±0.2 >6~30 = ±0.4 >30~120 = ±0.6 >120~315 = ±1 >315~1000 = ±1.6 ANGLES(角度) = ±5°	TITLE	F FEMALE PCB MOUNT
5						SCALE 3 : 1 UNIT MM	DRAWN <i>Lala</i>	DRAWING NO.	FS-1016NPT-SA0027		
4	insulator	1	P.P.	white				DATE	2007. 12. 25	FILE NO.	DRAWING\RF\FS\FS-1016NPT-SA0027
3	insulator	1	P.P.	white							
2	contact pin	1	brass	tin							
1	body	1	brass	nickel							
NO.	Description	Unit	Materials	Finish	Drawing No.						