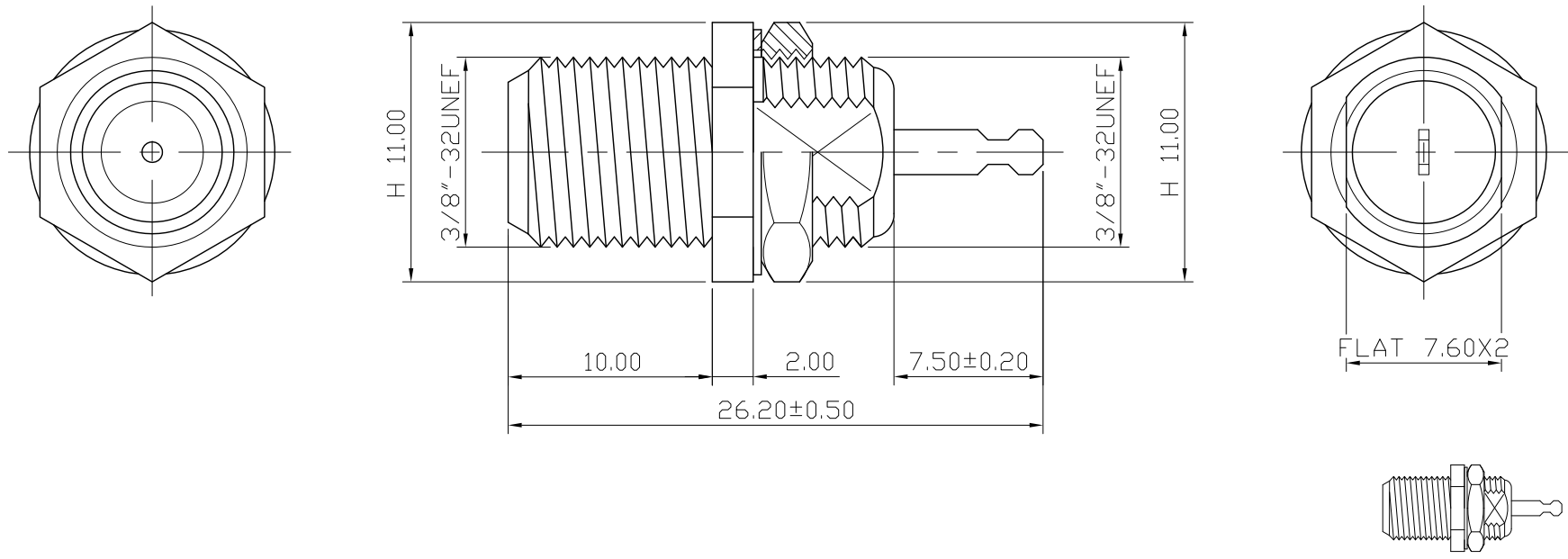



No.	DATE	DESCRIPTION	REV	REMARK : RoHS REQUIREMENT APPLIED (符合RoHS)	DATE	DRAWING NO.
					2009. 06. 26	FS-1015NT-PE(75)-W+N



S 1 : 1

-						DIMENSIONS ARE IN MILLIMETERS UNLESS OTHERWISE PECIFIED TOLERANCES (一般公差) 0.5~6 = ±0.2 >6~30 = ±0.4 >30~120 = ±0.6 >120~315 = ±1 >315~1000 = ±1.6 ANGLES(角度) = ±5°	CHECKED	 雅鈦企業有限公司 Aec Connectors Co., Ltd.	
-	washer	1	steel	nickel			DRAWN <i>Jim</i>		TITLE F FEMALE BULKHEAD(F61)
-	nut	1	steel	nickel					DATE 2007. 08. 15
-	insulator	1	P.P	none				FILE NO. DRAWING\RF\FS\FS-1011NPT-SB0027A	
-	insulator	1	P.P	none					
-	contact pin	1	brass	tin					
-	body	1	brass	nickel					
NO.	Description	Unit	Materials	Finish	Drawing No.	SCALE 3 : 1	UNIT MM		