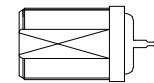
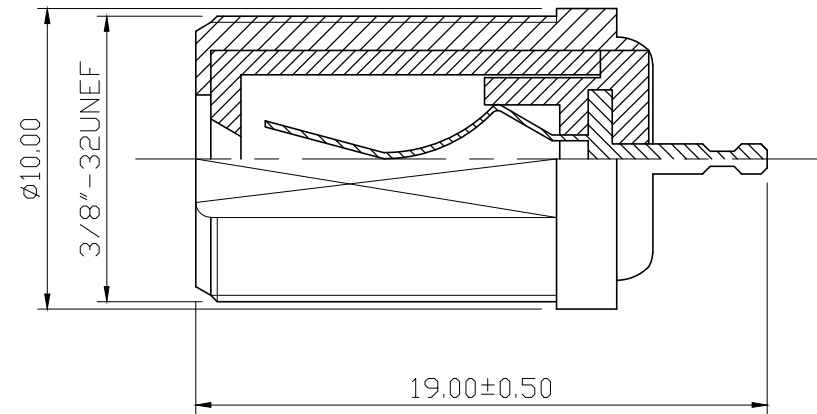
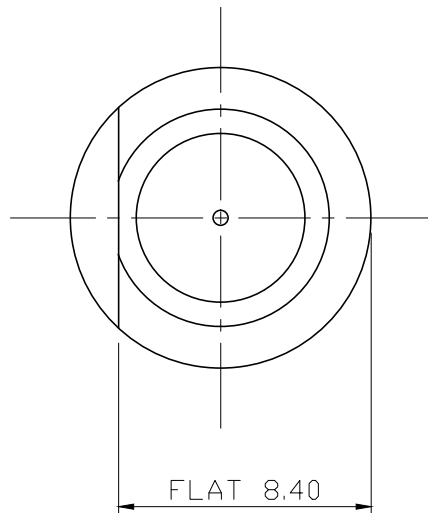



REMARK : RoHS REQUIREMENT APPLIED  
(符合RoHS)



S 1 : 1

NO.	Description	Unit	Materials	Finish	Drawing No.	SCALE	4 : 1	UNIT	MM	CHECKED	DATE	FILE NO.		
-						DIMENSIONS ARE IN MILLIMETERS UNLESS OTHERWISE PECIFIED TOLERANCES (一般公差) 0.5~6 = $\pm 0.2$ >6~30 = $\pm 0.4$ >30~120 = $\pm 0.6$ >120~315 = $\pm 1$ >315~1000 = $\pm 1.6$ ANGLES(角度) = $\pm 5^\circ$								
-	pin	1	brass	tin										
-	insulator	1	P.P	none										
-	insulator	1	P.P	none										
-	body	1	brass	nickel										
-														
											 雅鈦企業有限公司 Aec Connectors Co., Ltd.			
											TITLE F FEMALE BULKHEAD			
											DRAWING NO. FS-1010NPT-SB0027			
											DATE 2011. 01. 19			
											FILE NO. DRAWING\RF\FS\FS-1010NPT-SB0027			