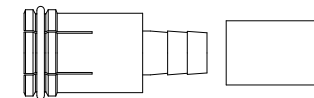
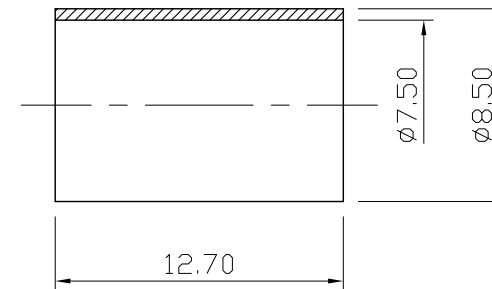
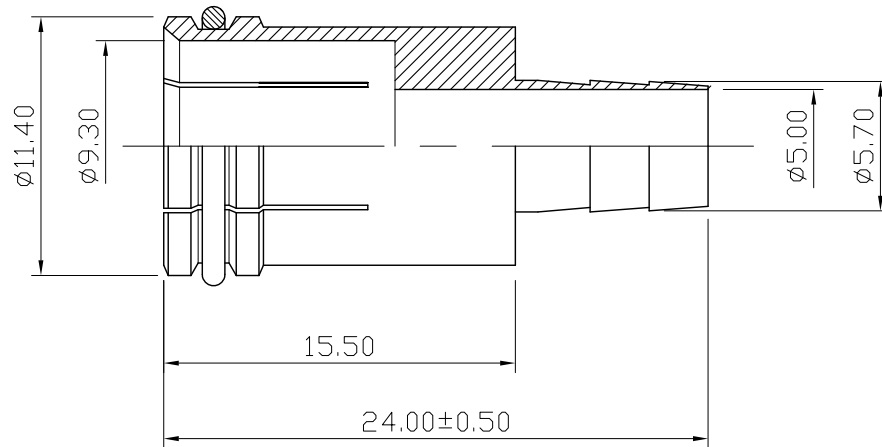



REMARK : RoHS REQUIREMENT APPLIED  
(符合RoHS)



S 1 : 1

-						DIMENSIONS ARE IN MILLIMETERS  UNLESS OTHERWISE SPECIFIED TOLERANCES (一般公差) 0.5~6 = ±0.2 >6~30 = ±0.4 >30~120 = ±0.6 >120~315 = ±1 >315~1000 = ±1.6 ANGLES(角度) = ±5°	CHECKED	 雅鈦企業有限公司 Aec Connectors Co., Ltd.			
-	C-ring	1	steel	nickel			DRAWN		TITLE		
-	ring	1	brass	nickel			<i>Ben</i>		F MALE TWIST ON		
-	body	1	brass	nickel			DATE	DRAWING NO.			
							2011. 04. 08	FS-1006NOO-SG2610			
NO.	Description	Unit	Materials	Finish	Drawing No.		SCALE	3 : 1	UNIT	MM	FILE NO.