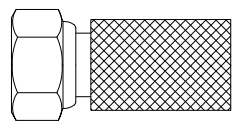
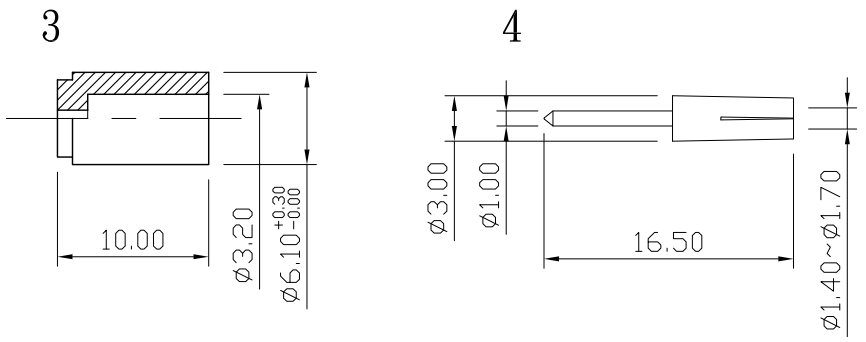
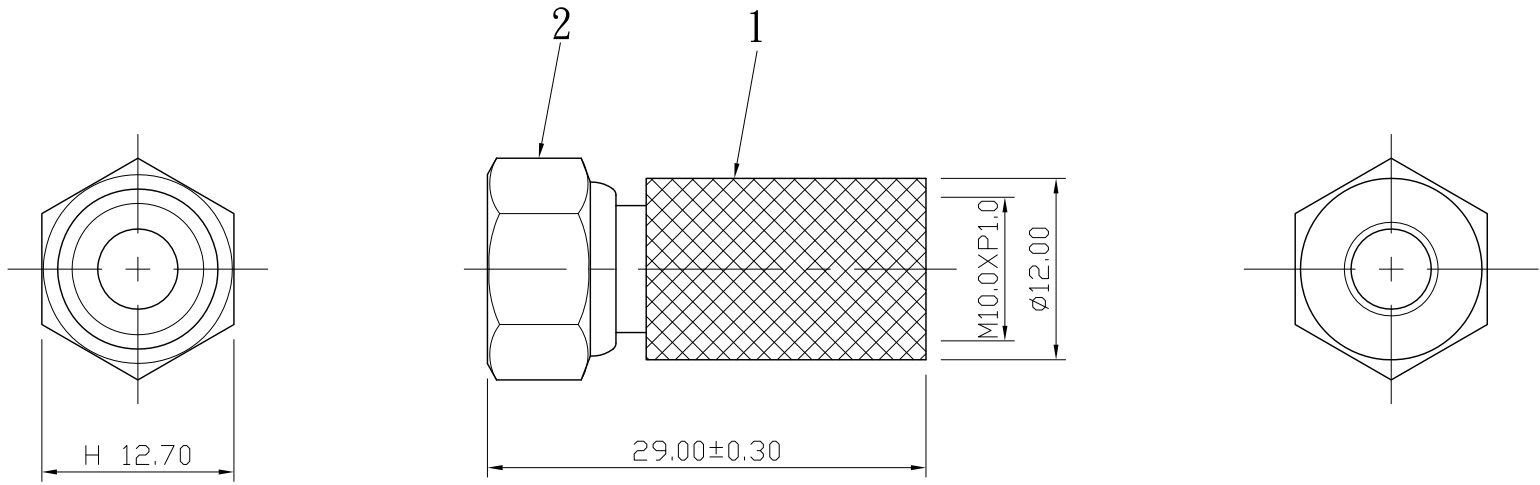



No.	DATE	DESCRIPTION	REV	REMARK : RoHS REQUIREMENT APPLIED (符合RoHS)	DATE	DRAWING NO.
					2008. 07. 31	FS-1008NN-DEL(75)-11U



S 1 : 1

7						DIMENSIONS ARE IN MILLIMETERS UNLESS OTHERWISE PECIFIED TOLERANCES (一般公差) 0.5~6 = ±0.2 >6~30 = ±0.4 >30~120 = ±0.6 >120~315 = ±1 >315~1000 = ±1.6 ANGLES(角度) = ±5°	CHECKED DRAWN <i>Lala</i> DATE 2008. 04. 10	 雅鈦企業有限公司 Aec Connectors Co., Ltd.			
6											
5											
4	contact pin	1	brass	nickel							
3	insulator	1	POM	white							
2	headlock	1	brass	nickel		TITLE	F MALE TWIST ON				
1	body	1	brass	nickel		DRAWING NO.	FS-1005NDN-SG1617				
NO.	Description	Unit	Materials	Finish	Drawing No.	SCALE	2 : 1	UNIT	MM	FILE NO.	DRAWING\RF\F\FS-1005NDN-SG1617