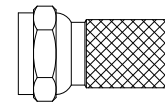
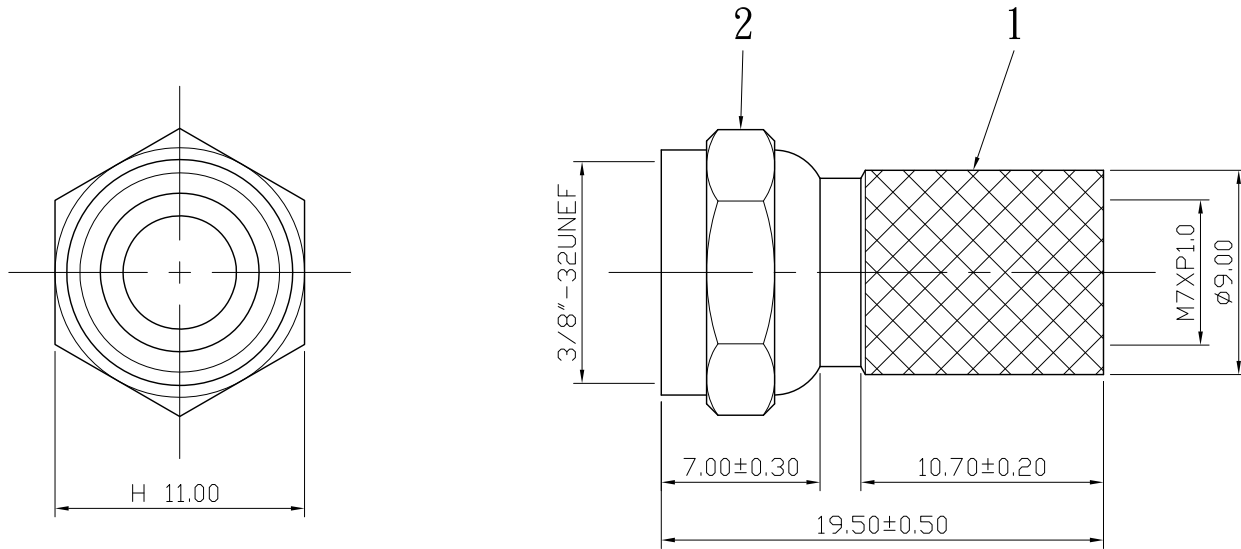



No.	DATE	DESCRIPTION	REV	REMARK : RoHS REQUIREMENT APPLIED (符合RoHS)	DATE	DRAWING NO.
△	2014. 12. 24	Drawing updated (圖面更新)	A		2008. 08. 01	FS-1007N-6U



S 1 : 1

7						DIMENSIONS ARE IN MILLIMETERS  UNLESS OTHERWISE PECIFIED TOLERANCES (一般公差) 0.5~6 = ±0.2 >6~30 = ±0.4 >30~120 = ±0.6 >120~315 = ±1 >315~1000 = ±1.6 ANGLES(角度) = ±5°	CHECKED	 雅鈦企業有限公司 Aec Connectors Co., Ltd.
6								
5								
4								TITLE
3								F MALE TWIST ON FOR RG-6/U
2	shell	1	brass	nickel			DRAWN	DRAWING NO.
1	body	1	brass	nickel			<i>Jim</i>	FS-1004NOO-SG2617
NO.	Description	Unit	Materials	Finish	Drawing No.	DATE	FILE NO.	DRAWING
						2007. 11. 21	DRAWINGRFFSVFS-1004NOO-SG2617	