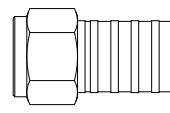
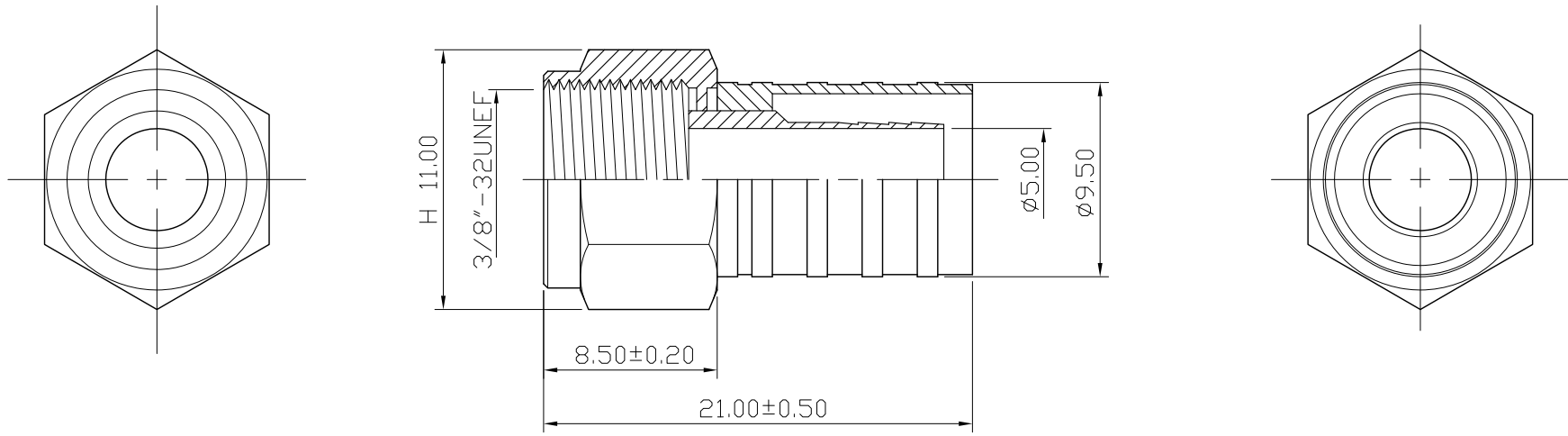



No.	DATE	DESCRIPTION	REV	REMARK : RoHS REQUIREMENT APPLIED (符合RoHS)	DATE	DRAWING NO.
△	2012. 03. 09	update drawing 圖面更新	A		2009. 01. 13	FS-1005N-6U



S 1 : 1

-						DIMENSIONS ARE IN MILLIMETERS UNLESS OTHERWISE PECIFIED TOLERANCES (一般公差) 0.5~6 = ±0.2 >6~30 = ±0.4 >30~120 = ±0.6 >120~315 = ±1 >315~1000 = ±1.6 ANGLES(角度) = ±5°	CHECKED	 雅鈦企業有限公司 Aec Connectors Co., Ltd.	
-	body	1	brass	nickel			DRAWN		TITLE
-	body	1	brass	nickel			<i>Jim</i>		F CONNECTOR FOR RG6/U
-	shell	1	brass	nickel			DATE	DRAWING NO.	
	NO.	Description	Unit	Materials	Finish		2007. 09. 12	FS-1003NOO-SC2617	
					Drawing No.		SCALE	FILE NO.	
						3 : 1	DRAWING/RF/FS/FS-1003NOO-SC2617		
						UNIT			
						MM			