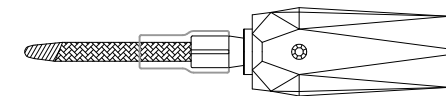
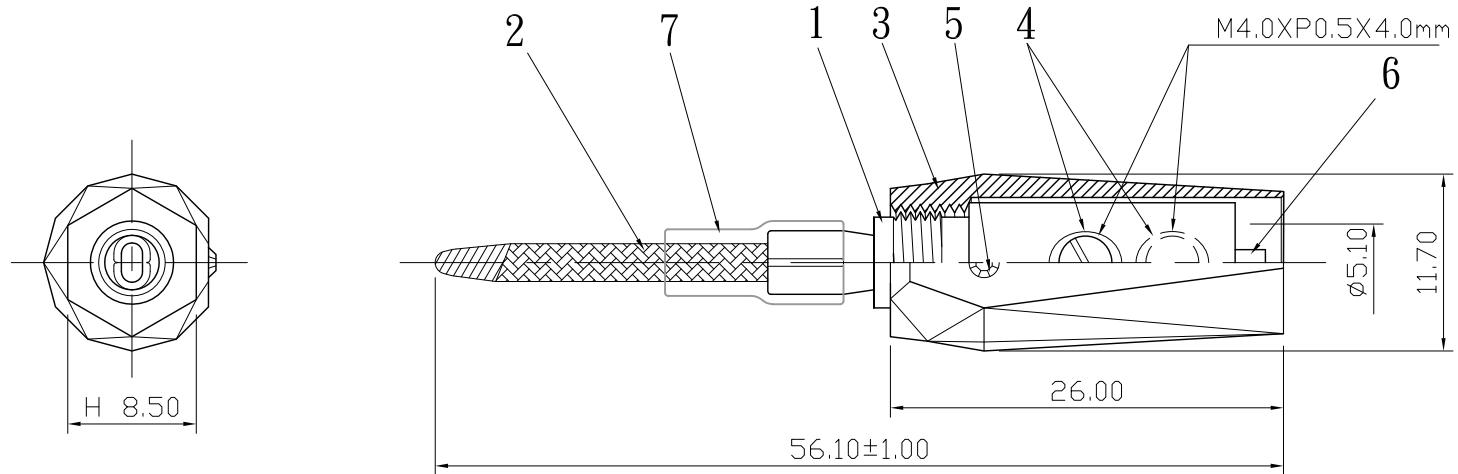



REMARK : RoHS REQUIREMENT APPLIED  
(符合RoHS)



S 1 : 1

| NO. | Description  | Unit | Materials          | Finish      | Drawing No.              | SCALE  | 2 : 1  | UNIT                                    | MM |  |             |  |  |  |
|-----|--------------|------|--------------------|-------------|--------------------------|--|--|---|----|--|-------------|--|--|--|
| 7   | sleeve       | 1    | pvc                | transparent |                          | DIMENSIONS ARE IN MILLIMETERS<br>UNLESS OTHERWISE PECIFIED TOLERANCES<br>(一般公差)<br>0.5~6 = ±0.2<br>>6~30 = ±0.4<br>>30~120 = ±0.6<br>>120~315 = ±1<br>>315~1000 = ±1.6<br>ANGLES(角度) = ±5° |  |   |    |  |             |  |  |  |
| 6   | sleeve       | 1    | pvc                | transparent |                          |  |  |   |    |  |             |  |  |  |
| 5   | swarovski    | 1    | crystal            | white       |                          |  |  |   |    |  |             |  |  |  |
| 4   | screw        | 2    | brass              | gold        | SCREW-104G-M4XP0.5X4.0mm |  |  |   |    |  |             |  |  |  |
| 3   | shell        | 1    | brass              | satn silver |                          |  |  |   |    |  |             |  |  |  |
| 2   | flexeble pin | 1    | oxygen free copper | gold        |                          |  |  |   |    |  |             |  |  |  |
| 1   | body         | 1    | brass              | gold        |                          |  |  |   |    |  |             |  |  |  |
|     |              |      |                    |             |                          | CHECKED  |  雅鈦企業有限公司<br>Aec Connectors Co., Ltd. |   |    |  |             |  |  |  |
|     |              |      |                    |             |                          | DRAWN  |  |   |    |  | TITLE       |  |  |  |
|     |              |      |                    |             |                          | Wing   |  |   |    |  | FLEXPIN     |  |  |  |
|     |              |      |                    |             |                          | DATE   |  |   |    |  | DRAWING NO. |  |  |  |
|     |              |      |                    |             |                          | 2009. 05. 25   | FP-401SSG-5.1  |   |    |  |             |  |  |  |
|     |              |      |                    |             |                          |  |  | FILE NO. DRAWING\AUDIO\FP\FP-401SSG-5.1 |    |  |             |  |  |  |