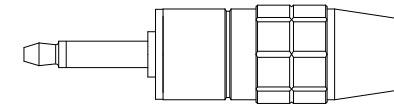
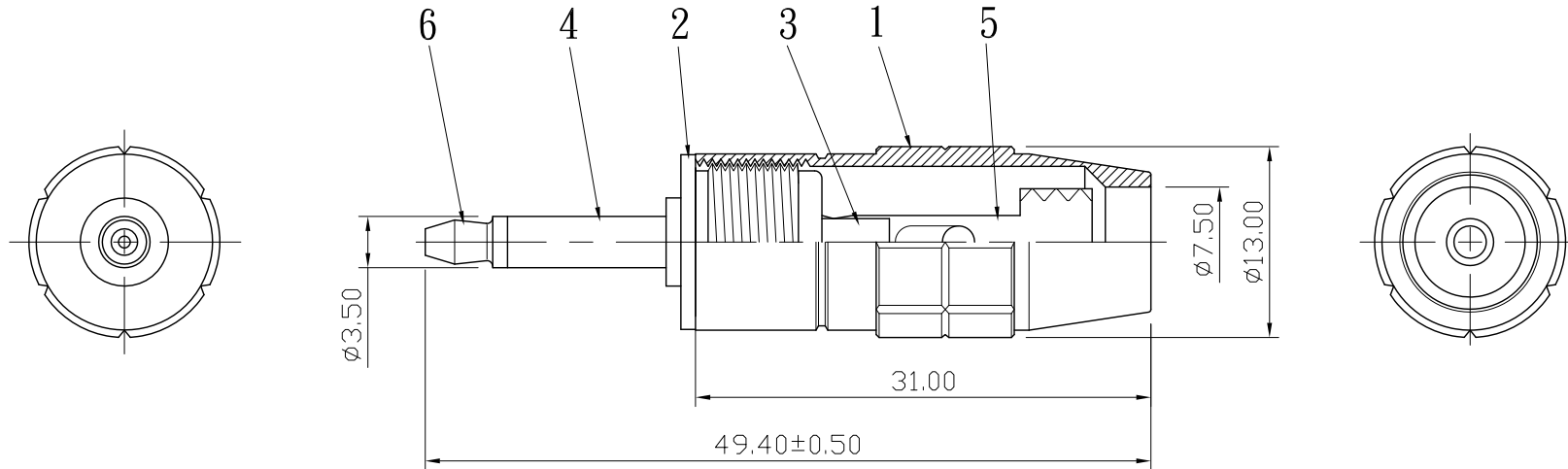



REMARK : RoHS REQUIREMENT APPLIED  
(符合RoHS)



S 1 : 1

NO.	Description	Unit	Materials	Finish	Drawing No.	SCALE	2 : 1	UNIT	MM	CHECKED	DATE	FILE NO.			
7						DIMENSIONS ARE IN MILLIMETERS UNLESS OTHERWISE PECIFIED TOLERANCES (一般公差) 0.5~6 = ±0.2 >6~30 = ±0.4 >30~120 = ±0.6 >120~315 = ±1 >315~1000 = ±1.6 ANGLES(角度) = ±5°					 雅鈦企業有限公司 Aec Connectors Co., Ltd.				
6	contact pin	1	brass	gold											
5	clip	1	brass	gold											
4	insulator	1	PTFE	white											
3	contact pin	1	brass	gold											
2	body	1	brass	gold											
1	shell	1	brass	black E-coating											
										DRAWN	2010. 04. 20	DRAWING\AUDIO\FOP\FOP-302BPG-TEF-7.5			
										<i>Jim</i>					
											TITLE	FIBER OPTIC PLUG			
											DRAWING NO.	FOP-302BPG-TEF-7.5			