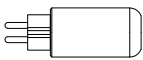
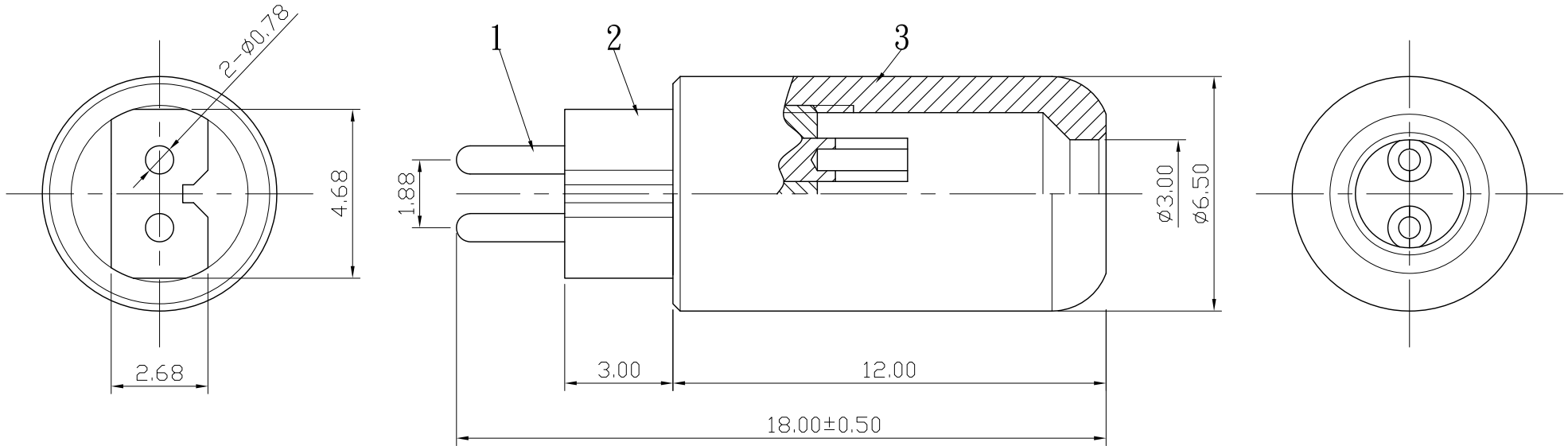



REMARK : RoHS REQUIREMENT APPLIED
(符合RoHS)



S 1 : 1

NO.	Description	Unit	Materials	Finish	Drawing No.	SCALE	6 : 1	UNIT	MM	CHECKED	DATE	FILE NO.
-						DIMENSIONS ARE IN MILLIMETERS UNLESS OTHERWISE SPECIFIED TOLERANCES (一般公差) 0.5~6 = ±0.2 >6~30 = ±0.4 >30~120 = ±0.6 >120~315 = ±1 >315~1000 = ±1.6 ANGLES(角度) = ±5°			CHECKED DRAWN <i>Chad</i> DATE 2016. 06. 23		 雅鈦企業有限公司 Aec Connectors Co., Ltd. TITLE 2P IEM PLUG DRAWING NO. IP-006ATG(Tc)-PEEK(BK)-3.0 FILE NO. DRAWING\AUDIO\PIP-006ATG(Tc)-PEEK(BK)-3.0	
3	shell	1	aluminum	clear anodic treatment	IPSL0004AL-AT							
2	insulator	1	PEEK	black	IPIR0004PK-BK							
1	contact pin	2	tellurium copper	gold								
-												