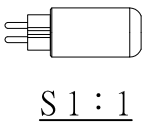
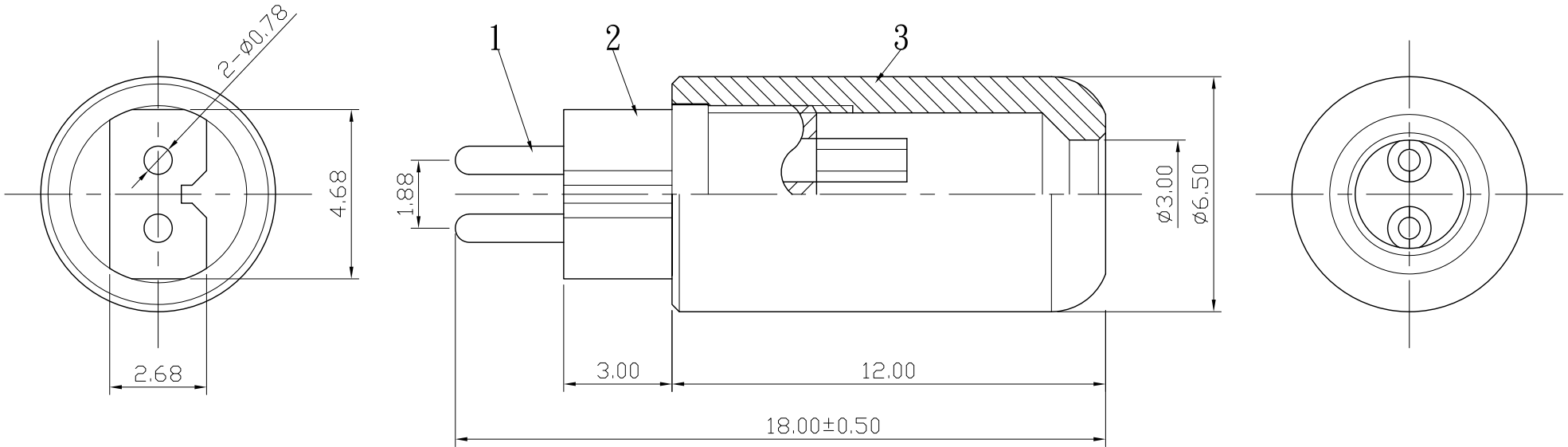



REMARK : RoHS REQUIREMENT APPLIED
(符合RoHS)



NO.	Description	Unit	Materials	Finish	Drawing No.	SCALE	6 : 1	UNIT	MM	CHECKED	DATE	FILE NO.			
-						DIMENSIONS ARE IN MILLIMETERS UNLESS OTHERWISE SPECIFIED TOLERANCES (一般公差) 0.5~6 = ±0.2 >6~30 = ±0.4 >30~120 = ±0.6 >120~315 = ±1 >315~1000 = ±1.6 ANGLES(角度) = ±5°									
-															
-															
-															
3	shell	1	aluminum	clear anodic treatment	IPSL0004AL-AT										
2	insulator	1	PEEK	brown	IPIR0004PK-BN										
1	contact pin	2	brass	gold	IPCP0002BR-G										
											 雅鈦企業有限公司 Aec Connectors Co., Ltd.				
											TITLE 2P IEM PLUG				
											DRAWING NO. IP-002ATG-PEEK-3.0				
											DATE 2015. 11. 26				
											FILE NO. DRAWING\AUDIO\PIP-002ATG-PEEK-3.0				