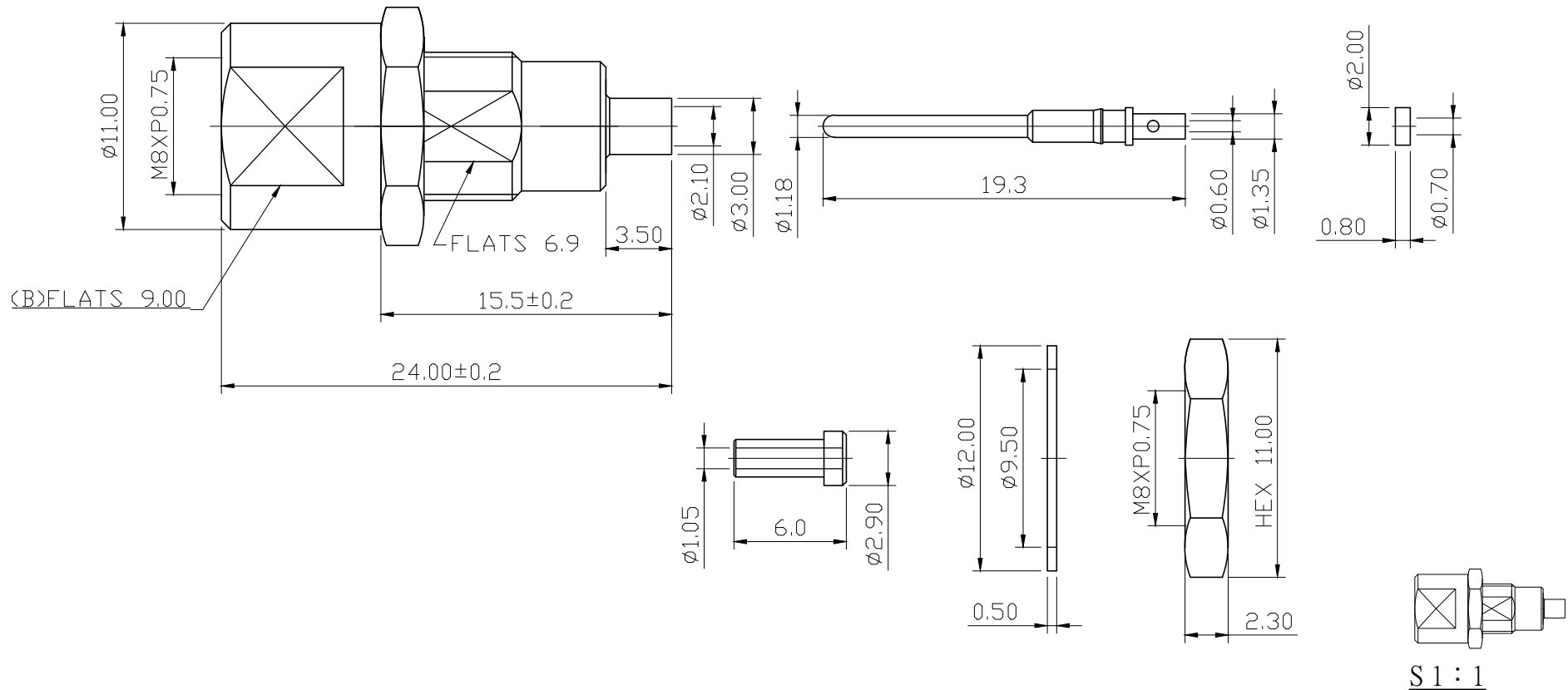


No.	DATE	DESCRIPTION	REV	REMARK : RoHS REQUIREMENT APPLIED (符合RoHS)	DATE	DRAWING NO.
-----	------	-------------	-----	---	------	-------------



8	nut	2	brass	nickel	FE08BR001A
7	wahser	1	iron	nickel	OT07IR018A
6	sleeve	1	brass	nickel	FE10BR001A
5	insulator	1	PTFE	white	FE02TF003A
4	contact pin	1	brass	gold	FE03BR002A
3	barrel	1	brass	nickel	FE04BR001A
2	insulator	1	PTFE	white	FE02TF002A
1	body	1	brass	nickel	FE01BR003A
NO.	Description	Unit	Materials	Finish	Drawing No.

DIMENSIONS ARE IN MILLIMETERS			
UNLESS OTHERWISE SPECIFIED TOLERANCES (一般公差)			
0.5~6	= ±0.2		
>6~30	= ±0.4		
>30~120	= ±0.6		
>120~315	= ±1		
>315~1000	= ±1.6		
ANGLES(角度) = ±5°			
SCALE	3 : 1	UNIT	MM

CHECKED
DRAWN <i>Chad</i>
DATE 2013. 07. 12


雅鈦企業有限公司
 Aec Connectors Co., Ltd.

TITLE
FME STRAIGHT BULKHEAD CRIMP

DRAWING NO.
FE-1005NTG-SC0215A

FILE NO. D:\Chad\U+FFB9狢尖RF接頭\FME\FE-1005NTG-SC0215A\