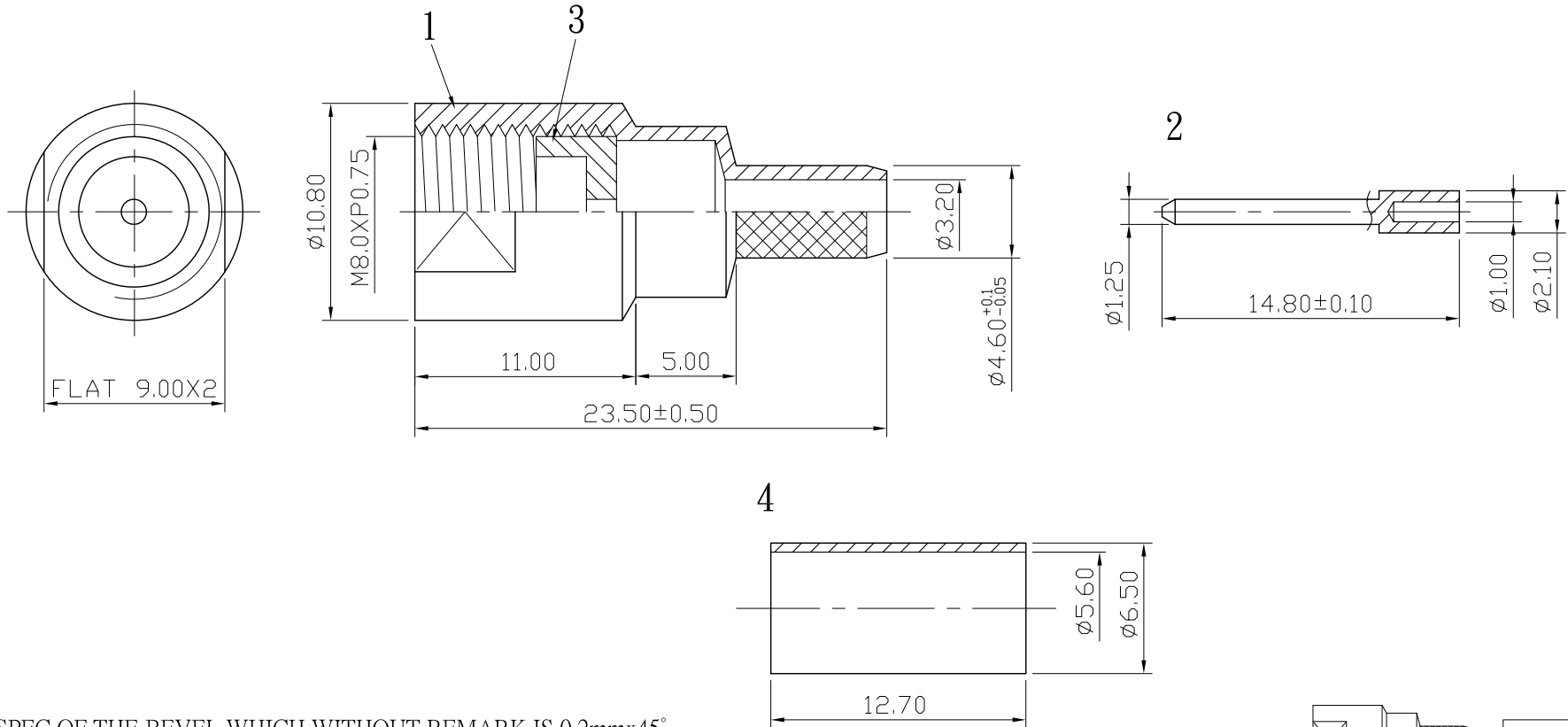
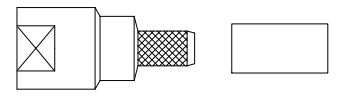


No.	DATE	DESCRIPTION	REV	REMARK : RoHS REQUIREMENT APPLIED (符合RoHS)	DATE	DRAWING NO.
-----	------	-------------	-----	---	------	-------------




1.THE SPEC OF THE BEVEL WHICH WITHOUT REMARK IS 0.2mmx45°  
(未標註之倒角尺寸為 <math><0.2\text{mm} \times 45^\circ</math>)

2.TOLERANCE IS  $\pm 0.08\text{mm}$  UNLESS OTHER WISE SPECIFIED, TOLERANCE OF THE DIAMETER IS  $\pm 0.03\text{mm}$   
(未標註之公差長度為  $\pm 0.08\text{mm}$ , 直徑為  $\pm 0.03\text{mm}$ )



S 1 : 1

7						DIMENSIONS ARE IN MILLIMETERS UNLESS OTHERWISE SPECIFIED TOLERANCES (一般公差) 0.5~6 = $\pm 0.2$ >6~30 = $\pm 0.4$ >30~120 = $\pm 0.6$ >120~315 = $\pm 1$ >315~1000 = $\pm 1.6$ ANGLES(角度) = $\pm 5^\circ$	CHECKED	 <b>雅鈦企業有限公司</b> Aec Connectors Co., Ltd.	
6					DRAWN		TITLE		
5							<i>Lala</i>		FME MALE CRIMP FOR RG-58/U
4	ring	1	brass	nickel			DATE		DRAWING NO.
3	insulator	1	delrin	white			2009. 07. 28		FE-1004NDG-SC1115
2	contact pin	1	brass	gold			FILE NO.		
1	body	1	brass	nickel			DRAWING		
NO.	Description	Unit	Materials	Finish	Drawing No.	SCALE	3 : 1	UNIT	MM