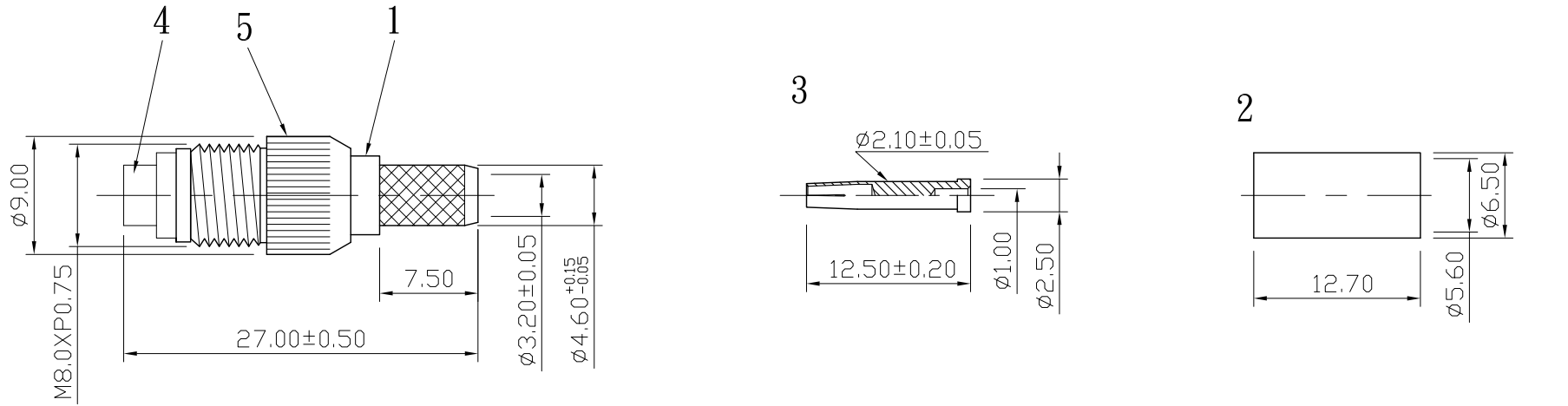



No.	DATE	DESCRIPTION	REV	REMARK : RoHS REQUIREMENT APPLIED (符合RoHS)	DATE	DRAWING NO.
-----	------	-------------	-----	---	------	-------------



S 1 : 1

7						DIMENSIONS ARE IN MILLIMETERS UNLESS OTHERWISE SPECIFIED TOLERANCES (一般公差) 0.5~6 = ±0.2 >6~30 = ±0.4 >30~120 = ±0.6 >120~315 = ±1 >315~1000 = ±1.6 ANGLES(角度) = ±5°	CHECKED	 雅鈦企業有限公司 Aec Connectors Co., Ltd.	
6					DRAWN <i>Lala</i>				TITLE FME FEMALE CRIMP FOR RG-58/U
5	headlock	1	brass	nickel					DATE 2008. 12. 02
4	insulator	1	delrin	white					FILE NO. DRAWINGRFFEFME-1002NDG-SC1125
3	contact pin	1	brass	gold					
2	ring	1	brass	nickel					
1	body	1	brass	nickel					
NO.	Description	Unit	Materials	Finish	Drawing No.	SCALE 2 : 1 UNIT MM			