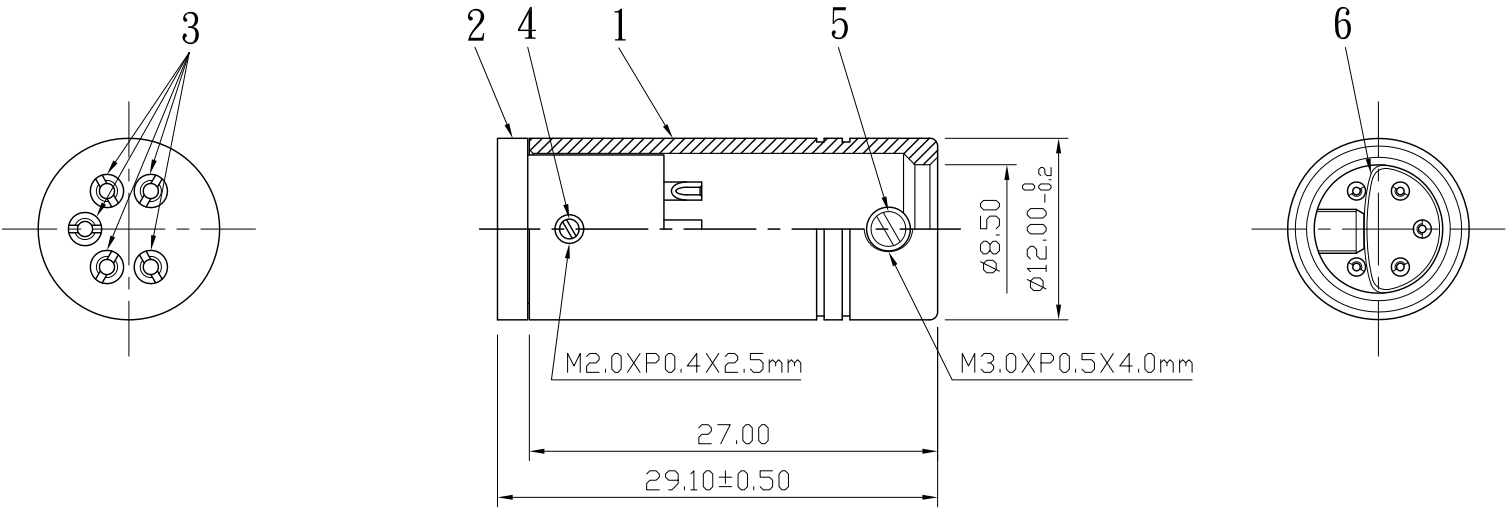



REMARK : RoHS REQUIREMENT APPLIED
(符合RoHS)



S 1 : 1

NO.	Description	Unit	Materials	Finish	Drawing No.	SCALE	2 : 1	UNIT	MM	CHECKED	DATE	FILE NO.	
7						DIMENSIONS ARE IN MILLIMETERS UNLESS OTHERWISE SPECIFIED TOLERANCES (一般公差) 0.5~6 = ± 0.2 >6~30 = ± 0.4 >30~120 = ± 0.6 >120~315 = ± 1 >315~1000 = ± 1.6 ANGLES(角度) = $\pm 5^\circ$							
6	sleeve	1	PVC	transparent									
5	screw	1	brass	nickel	SCREW-103N-M3.0XP0.5X4.0mm								
4	screw	1	brass	nickel	SCREW-101N-M2.0XP0.4X2.5mm								
3	contact pin	5	tellurium copper	gold									
2	insulator	1	PTFE	white									
1	shell	1	aluminum	clear anodic treatment									
										CHECKED			
										DRAWN	<i>Jim</i>		
										DATE	2013. 08. 08		
											 雅鈦企業有限公司 Aec Connectors Co., Ltd.		
											TITLE ONEARM CONNECTOR		
											DRAWING NO. DJ-102ALG(Tc)-TEF-8.5		
											FILE NO. DRAWING\AUDIO\DJ-102ALG(Tc)-TEF-8.5		