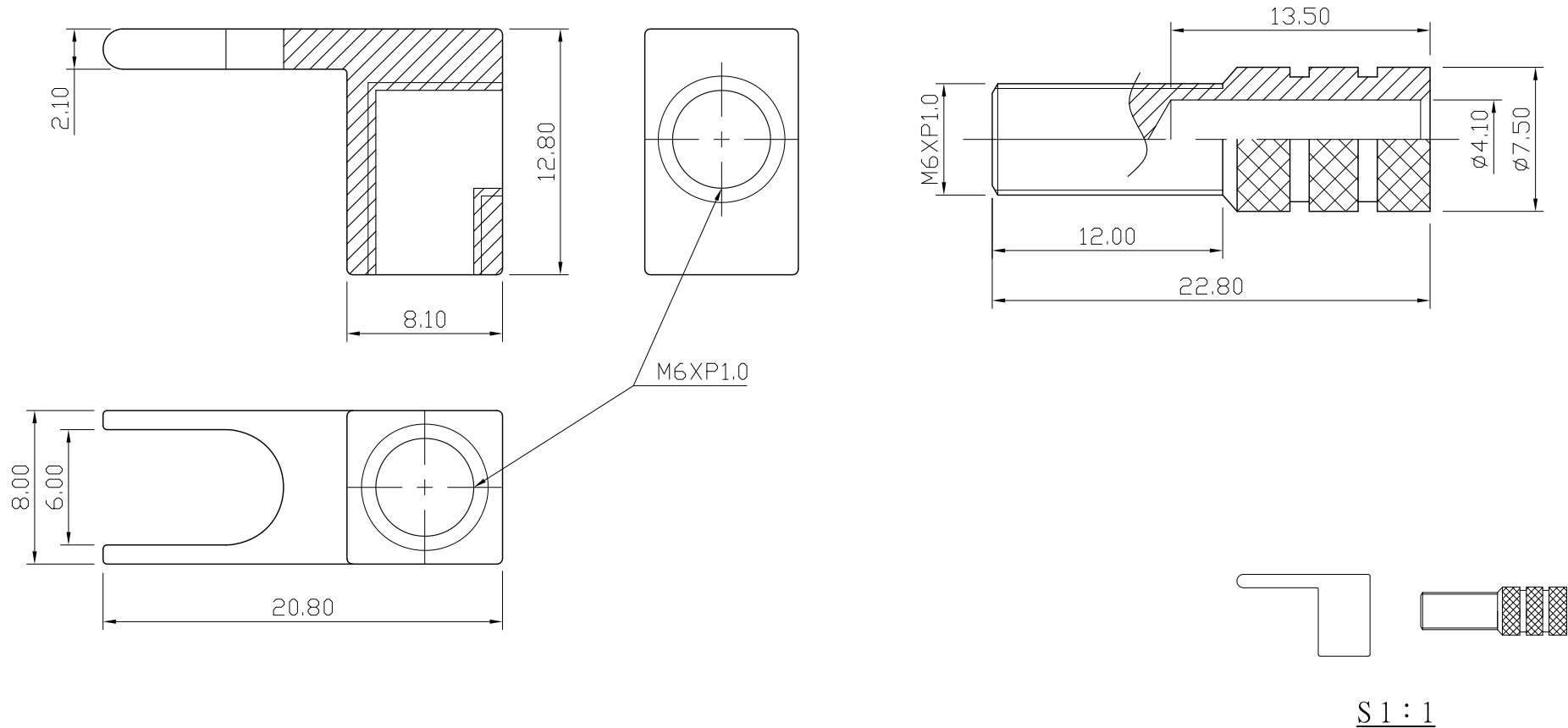



REMARK : RoHS REQUIREMENT APPLIED
(符合RoHS)



-						DIMENSIONS ARE IN MILLIMETERS UNLESS OTHERWISE PECIFIED TOLERANCES (一般公差) 0.5~6 = ±0.2 >6~30 = ±0.4 >30~120 = ±0.6 >120~315 = ±1 >315~1000 = ±1.6 ANGLES(角度) = ±5°	CHECKED	 雅鈦企業有限公司 Aec Connectors Co., Ltd.
-					DRAWN		TITLE	
-					<i>Jim</i>		CABLE TERMINAL	
-	terminal	1	brass	gold			DATE	DRAWING NO.
-	body	1	brass	gold			2014. 07. 03	CT-310GG-6.0-90-4.0
NO.	Description	Unit	Materials	Finish	Drawing No.		SCALE	FILE NO.
						3 : 1	DRAWING\AUDIO\CT\CT-310GG-6.0-90-4.0	