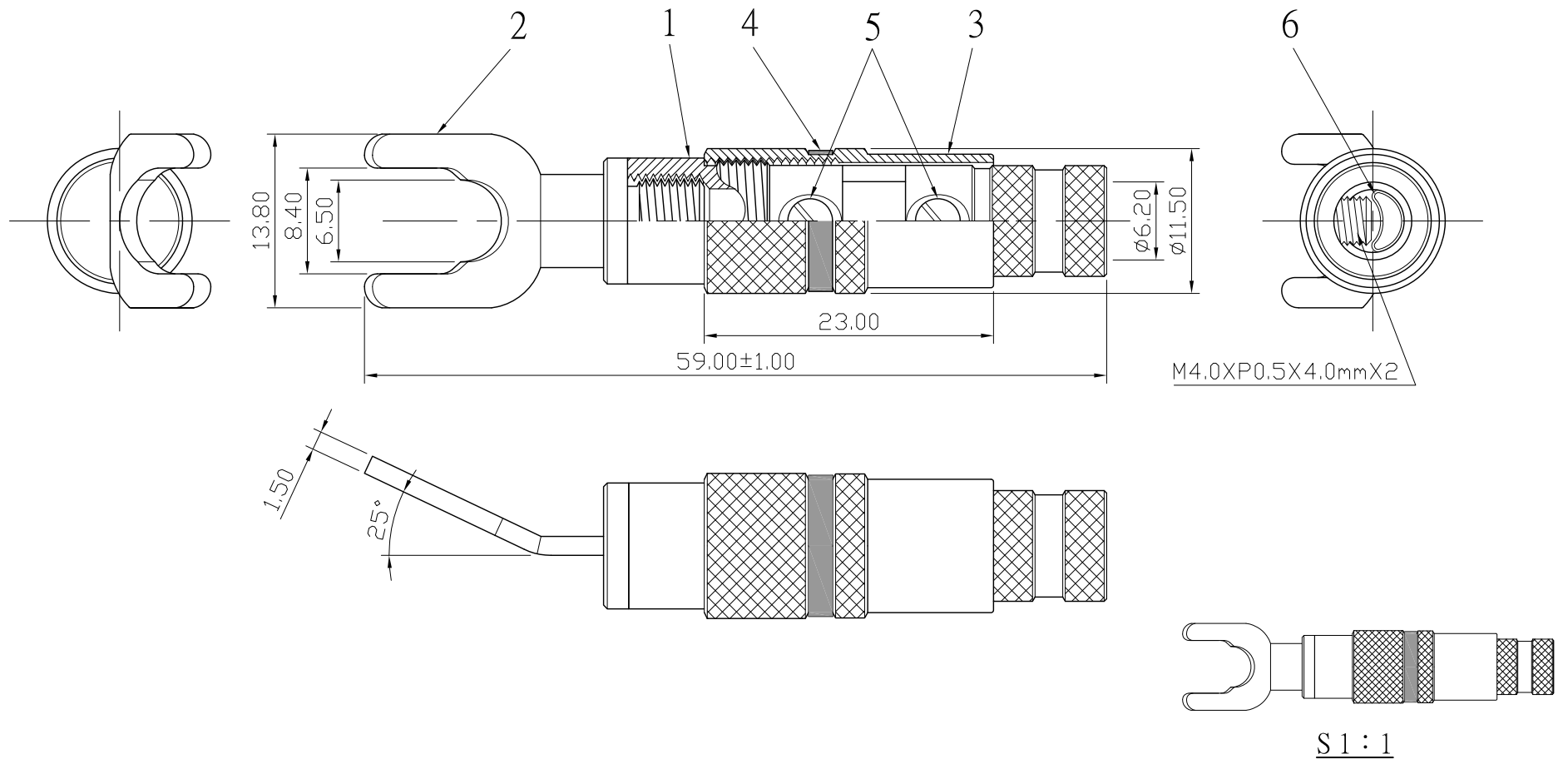



REMARK : RoHS REQUIREMENT APPLIED
(符合RoHS)



NO.	Description	Unit	Materials	Finish	Drawing No.	SCALE	2 : 1	UNIT	MM	CHECKED	DATE	FILE NO.		
7						DIMENSIONS ARE IN MILLIMETERS UNLESS OTHERWISE SPECIFIED TOLERANCES (一般公差) 0.5~6 = ±0.2 >6~30 = ±0.4 >30~120 = ±0.6 >120~315 = ±1 >315~1000 = ±1.6 ANGLES(角度) = ±5°					 雅鈦企業有限公司 Aec Connectors Co., Ltd.			
6	sleeve	1	PVC	transparent										TITLE
5	screw	2	brass	gold	SCREW-104G-M4XP0.5X4.0mm								DRAWN	Jim
4	color ring	1	PVC	red/black/white										
3	shell	1	brass	zinc alloy										
2	terminal	1	brass	gold										
1	body	1	brass	gold										
											2008. 01. 07	DRAWING\AUDIO\CT\CT-303ZAG-8.4-25-6.2-RD/BK/WE		