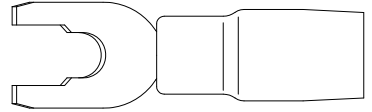
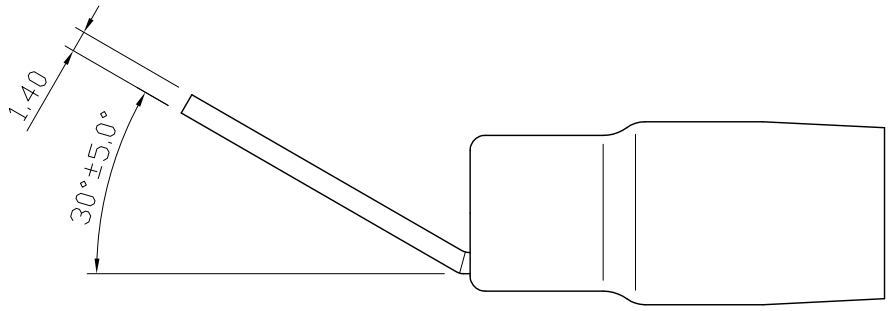
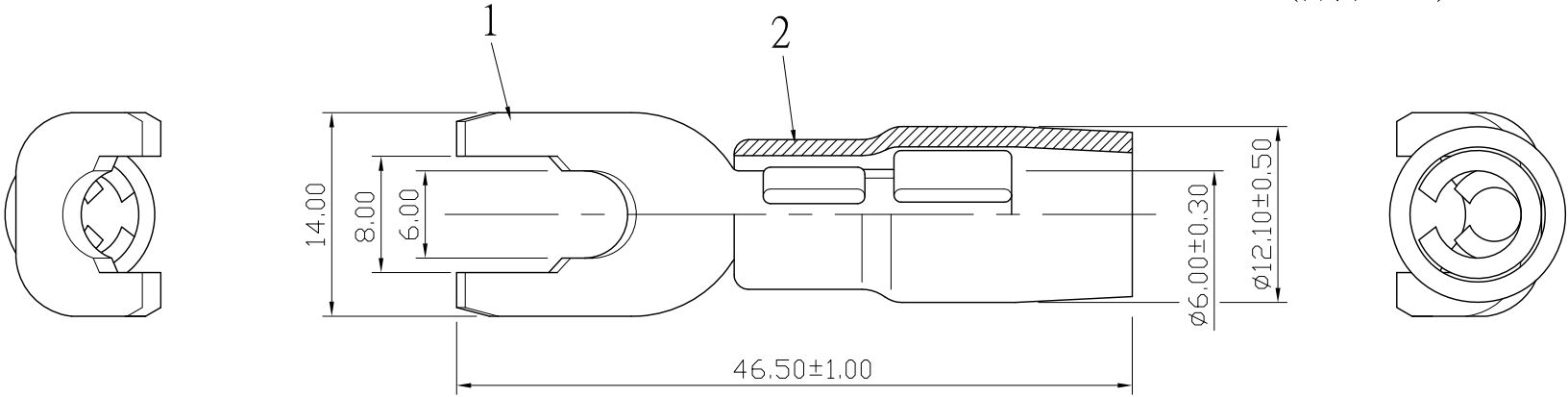



REMARK : RoHS REQUIREMENT APPLIED
(符合RoHS)



S 1 : 1

7						DIMENSIONS ARE IN MILLIMETERS UNLESS OTHERWISE SPECIFIED TOLERANCES (一般公差) 0.5~6 = ±0.2 >6~30 = ±0.4 >30~120 = ±0.6 >120~315 = ±1 >315~1000 = ±1.6 ANGLES(角度) = ±5°	CHECKED	 雅鈦企業有限公司 Aec Connectors Co., Ltd.	
6							TITLE		
5							DRAWN	CABLE TERMINAL	
4							<i>Lala</i>	DRAWING NO.	
3							DATE	CT-266RD/BKsoPLG-8.0-30-6.0	
2	shell	1	soft plastic	red/black			2009. 09. 03	FILE NO. DRAWING\AUDIO\CTCT-266RD/BKsoPLG-8.0-30-6.0	
1	body	1	copper	gold					
NO.	Description	Unit	Materials	Finish	Drawing No.	SCALE	2 : 1	UNIT	MM