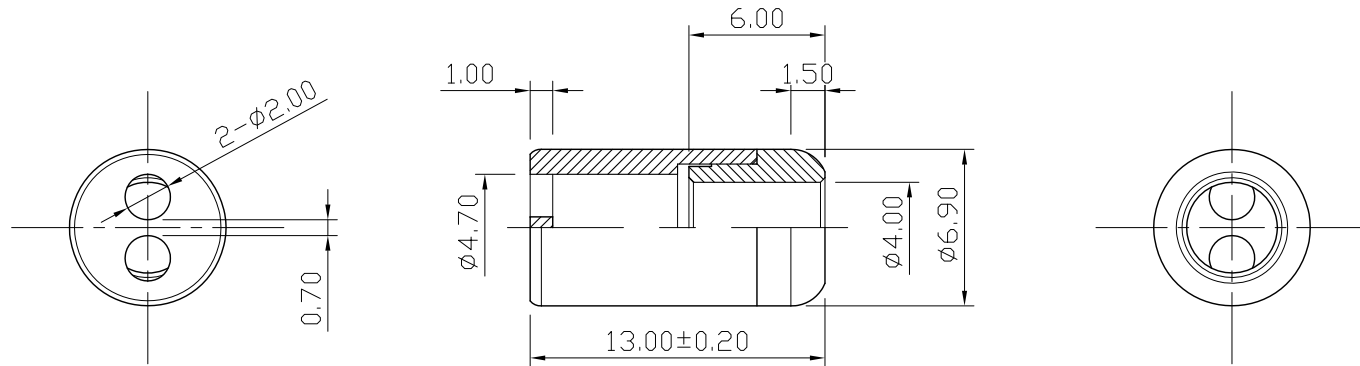



REMARK : RoHS REQUIREMENT APPLIED
(符合RoHS)



S 1 : 1

-						DIMENSIONS ARE IN MILLIMETERS			CHECKED	 雅鈦企業有限公司 Aec Connectors Co., Ltd.
-										
-						0.5~6 = ±0.2			DRAWN <i>Otis</i>	CABLE STOPPER
-						>6~30 = ±0.4				DRAWING NO.
-						>30~120 = ±0.6			DATE 2015. 03. 24	CS-311AT-FH2.0X2-CH4.0
-	sleeve	1	aluminum	clear anodic treatment		>120~315 = ±1				FILE NO. DRAWING\AUDIO\CS\CS-311AT-FH2.0X2-CH4.0
-	body	1	aluminum	clear anodic treatment		>315~1000 = ±1.6				
NO.	Description	Unit	Materials	Finish	Drawing No.	SCALE	3 : 1	UNIT	MM	