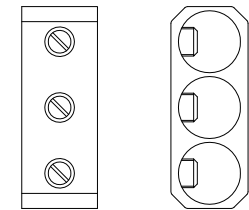
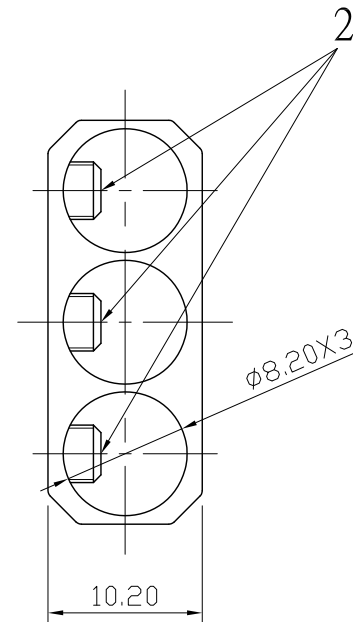
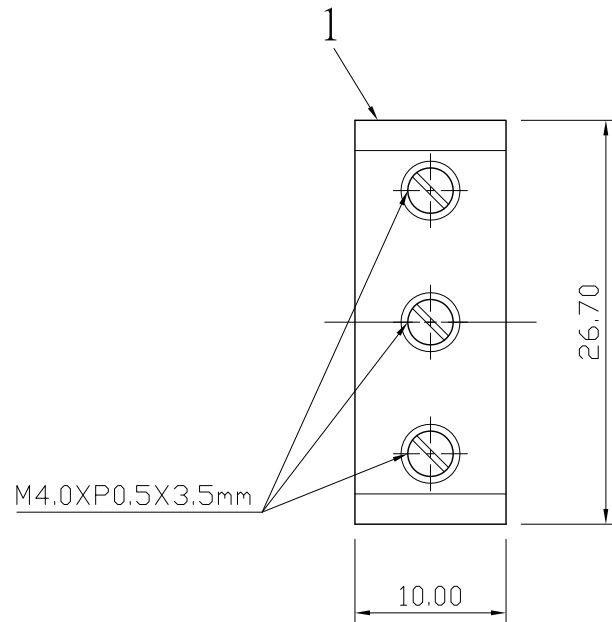



REMARK : RoHS REQUIREMENT APPLIED  
(符合RoHS)



S 1 : 1

7						DIMENSIONS ARE IN MILLIMETERS  UNLESS OTHERWISE PECIFIED TOLERANCES (一般公差) 0.5~6 = ±0.2 >6~30 = ±0.4 >30~120 = ±0.6 >120~315 = ±1 >315~1000 = ±1.6 ANGLES(角度) = ±5°	CHECKED	 雅鈦企業有限公司 Aec Connectors Co., Ltd.	
6					DRAWN <i>Jim</i>				
5							DATE 2011. 10. 20		TITLE CABLE STOPPER
4							DRAWING NO. CS-304N-CH8.2X3		
3							FILE NO. DRAWING\AUDIO\CS\CS-304N-CH8.2X3		
2	screw	3	brass	nickel	SCREW-104N-M4.0XP0.5X3.5mm				
1	body	1	brass	nickel					
NO.	Description	Unit	Materials	Finish	Drawing No.	SCALE	2 : 1	UNIT	MM