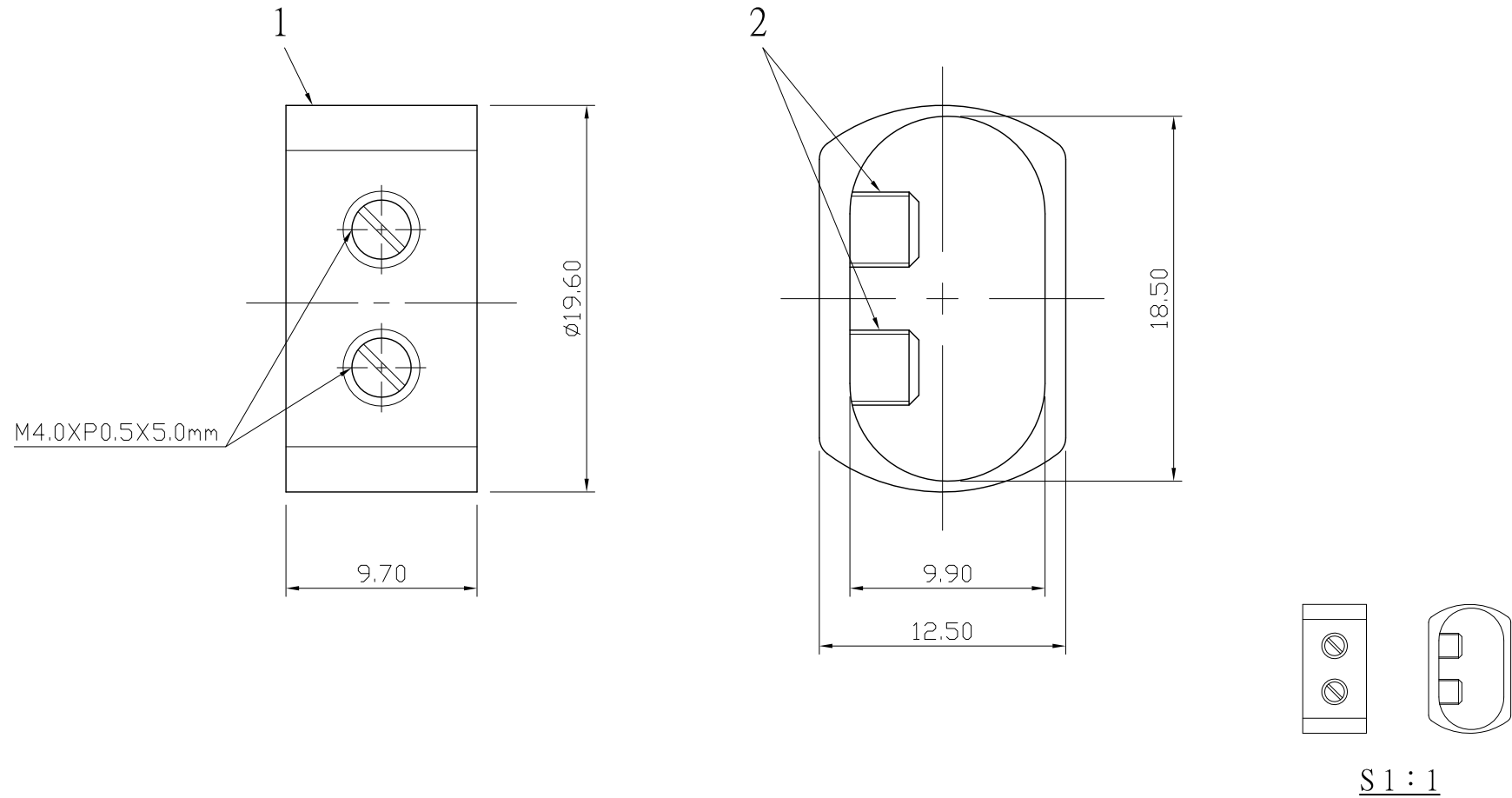



REMARK : RoHS REQUIREMENT APPLIED
(符合RoHS)



7						DIMENSIONS ARE IN MILLIMETERS UNLESS OTHERWISE PECIFIED TOLERANCES (一般公差) 0.5~6 = ±0.2 >6~30 = ±0.4 >30~120 = ±0.6 >120~315 = ±1 >315~1000 = ±1.6 ANGLES(角度) = ±5°	CHECKED	 雅鈦企業有限公司 Aec Connectors Co., Ltd.	
6					DRAWN		TITLE		
5					<i>Jim</i>		CABLE STOPPER		
4							DRAWING NO.	CS-302N-CH9.9	
3					DATE		2011. 10. 20	FILE NO.	DRAWING\AUDIO\CS\CS-302N-CH9.9
2	screw	2	brass	nickel	SCREW-104N-M4.0XP0.5X5.0mm				
1	body	1	brass	nickel					
NO.	Description	Unit	Materials	Finish	Drawing No.	SCALE	3 : 1	UNIT	MM