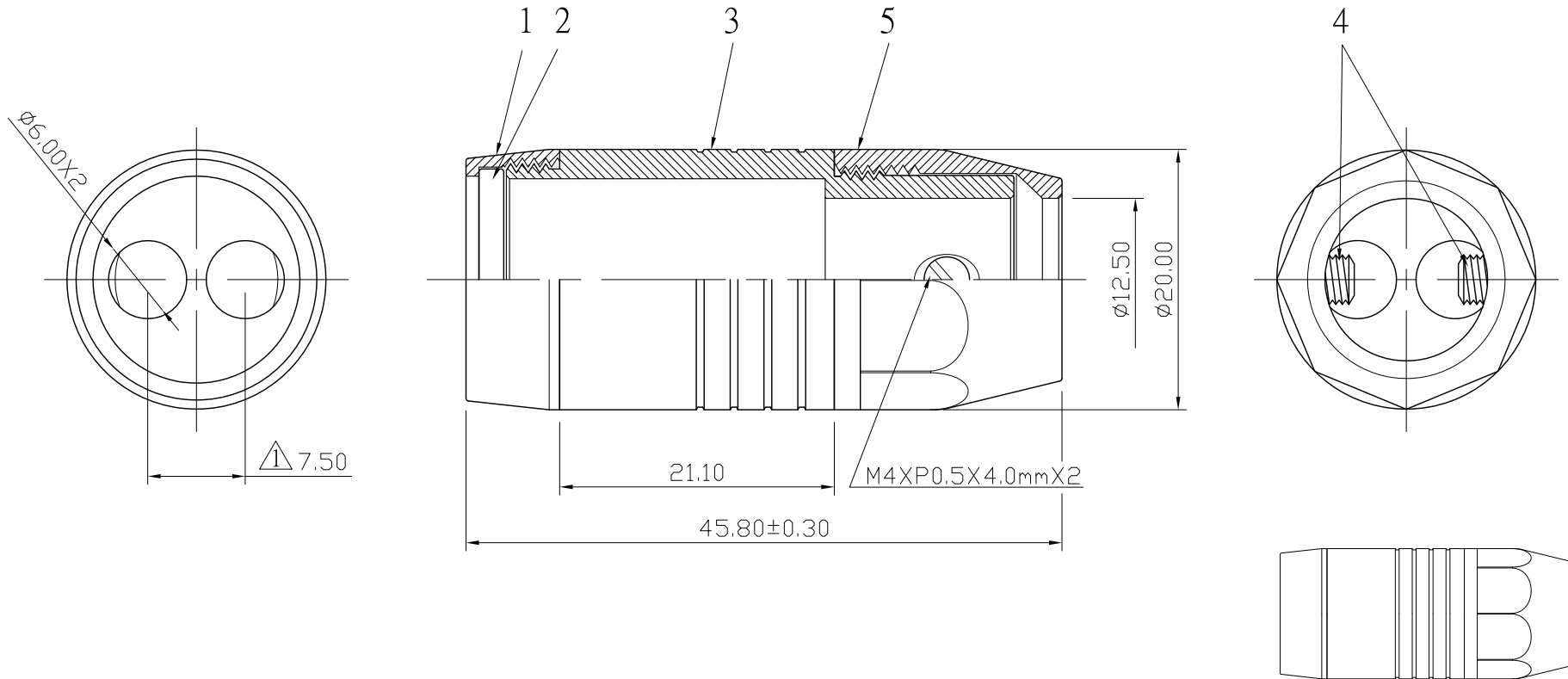



No.	DATE	DESCRIPTION	REV
1	2009. 02. 25	Original dimation 9.00	A
2	2009. 07. 16	Drawing updated (圖面更新)	B
3	2015. 07. 07	Drawing updated (圖面更新)	C



S 1 : 1

NO.	Description	Unit	Materials	Finish	Drawing No.	SCALE	2 : 1	UNIT	MM	CHECKED	DATE	FILE NO.			
7						DIMENSIONS ARE IN MILLIMETERS UNLESS OTHRWISE PECIFIED TOLERANCES (一般公差) 0.5~6 = ± 0.2 >6~30 = ± 0.4 >30~120 = ± 0.6 >120~315 = ± 1 >315~1000 = ± 1.6 ANGLES(角度) = $\pm 5^\circ$					 雅鈦企業有限公司 Aec Connectors Co., Ltd.				
6														TITLE	CABLE STOPPER DRAWING NO. CS-201SCG+P-FH6.0X2-CH12.5 FILE NO. DRAWING\AUDIO\CS\CS-201SCG+P-FH6.0X2-CH12.5
5	headlock	1	brass	satin chrome+topcoat										DRAWN	
4	screw	2	brass	gold	SCREW-104G-M4XP0.5X4.0mm									<i>Jim</i>	
3	body	1	brass	satin chrome+topcoat											
2	washer	1	brass	gold											
1	headlock	1	brass	gold											
7											2008. 01. 15				