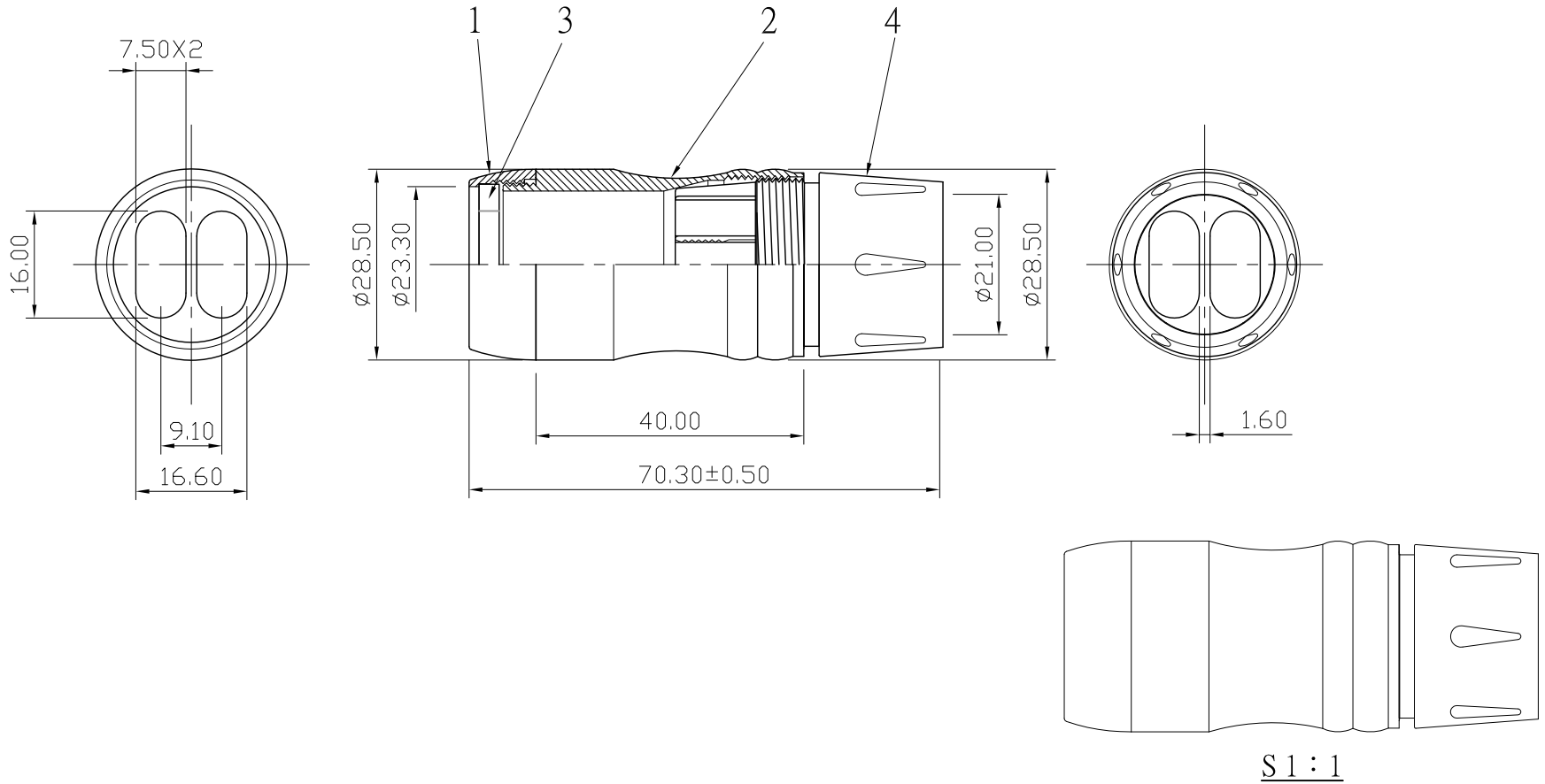



REMARK : RoHS REQUIREMENT APPLIED
(符合RoHS)



-						DIMENSIONS ARE IN MILLIMETERS UNLESS OTHERWISE SPECIFIED TOLERANCES (一般公差) 0.5~6 = ±0.2 >6~30 = ±0.4 >30~120 = ±0.6 >120~315 = ±1 >315~1000 = ±1.6 ANGLES(角度) = ±5°	CHECKED	 雅鈦企業有限公司 Aec Connectors Co., Ltd.	
-					DRAWN <i>Jim</i>				TITLE CABLE STOPPER
-							DATE 2006. 01. 12		DRAWING NO. CS-102SSG-FH7.5X2-CH21.0
4	headlock	1	brass	gold					FILE NO. DRAWING\AUDIO\CS\CS-102SSG-FH7.5X2-CH21.0
3	washer	1	brass	gold					
2	body	1	brass	satın silver					
1	headlock	1	brass	gold					
NO.	Description	Unit	Materials	Finish	Drawing No.	SCALE 1 : 1 UNIT MM			