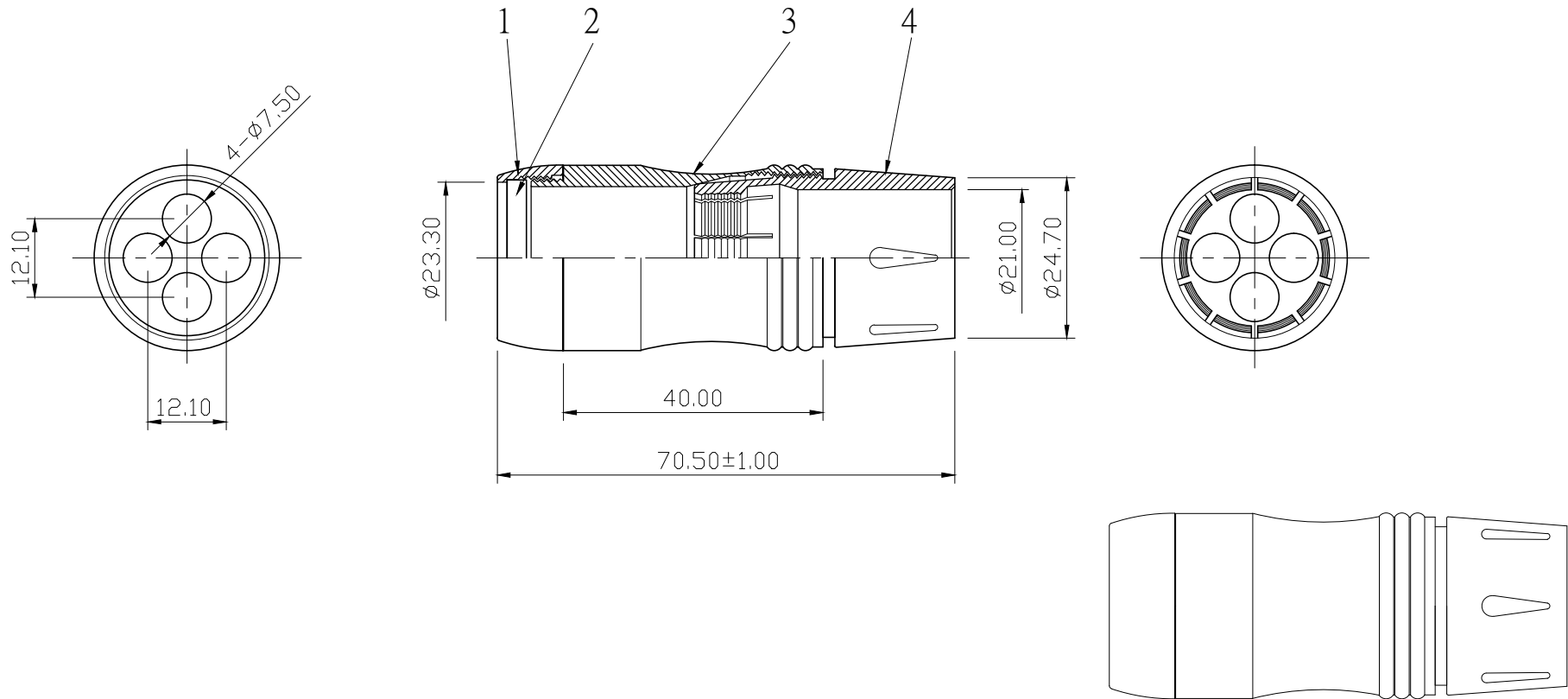



No.	DATE	DESCRIPTION	REV
△	2014. 10. 20	Drawing to updated (圖面更新)	A

REMARK : RoHS REQUIREMENT APPLIED
(符合RoHS)



-						DIMENSIONS ARE IN MILLIMETERS UNLESS OTHERWISE PECIFIED TOLERANCES (一般公差) 0.5~6 = ±0.2 >6~30 = ±0.4 >30~120 = ±0.6 >120~315 = ±1 >315~1000 = ±1.6 ANGLES(角度) = ±5°	CHECKED	 雅鈦企業有限公司 Aec Connectors Co., Ltd.	
-							TITLE		CABLE STOPPER
4	headlock	1	brass	gold			DRAWN		Sun
3	body	1	brass	gold			DATE		2009. 05. 08
2	washer	1	brass	gold				DRAWING NO.	CS-101GG-FH7.5X4-CH21.0
1	headlock	1	brass	gold				FILE NO.	DRAWING\AUDIO\CS\CS-101GG-FH7.5X4-CH21.0
NO.	Description	Unit	Materials	Finish	Drawing No.	SCALE	1 : 1	UNIT	MM