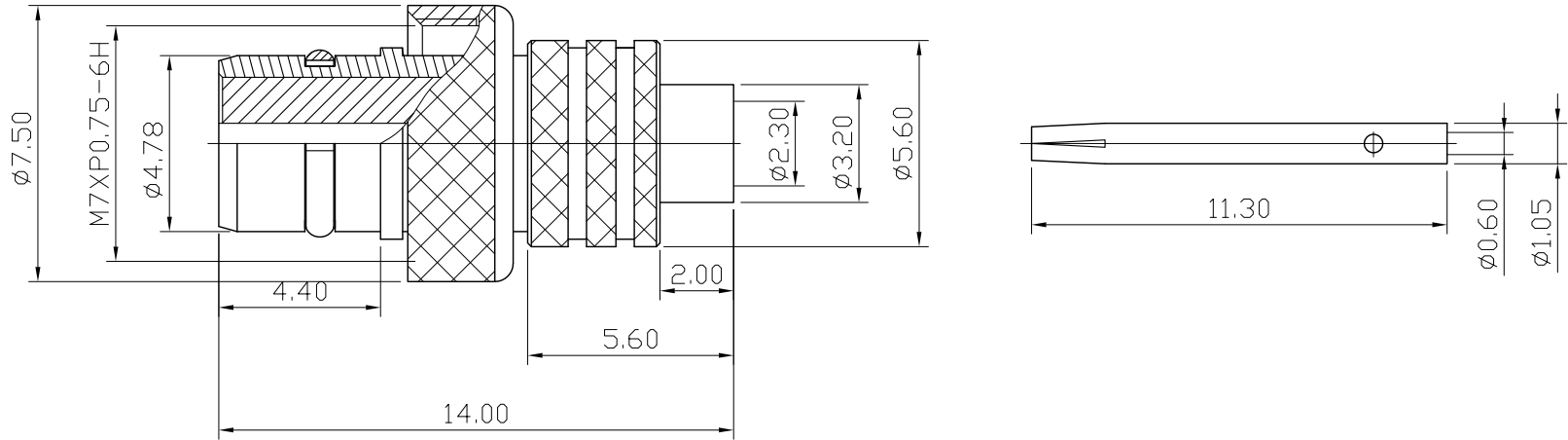
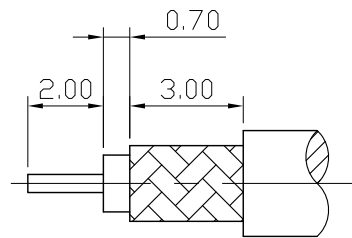


No.	DATE	DESCRIPTION	REV	REMARK : RoHS REQUIREMENT APPLIED (符合RoHS)	DATE	DRAWING NO.
-----	------	-------------	-----	---	------	-------------

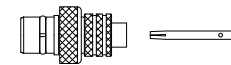


Electricals:


1. Impedance : 50 ohms
2. frequency Range : 0~30 GHz
- 3.V.S.W.R : 1.3 MAX.
- 4.Working Voltage : 500V rms min.
- 5.Dielectric Withstanding Voltage : 5000 M Ω min.



RECOMMENDED CABLE STRIPPING DIM'S
(建議剝線尺寸)



S 1 : 1

-						DIMENSIONS ARE IN MILLIMETERS UNLESS OTHERWISE SPECIFIED TOLERANCES (一般公差) 0.5~6 = ± 0.2 >6~30 = ± 0.4 >30~120 = ± 0.6 >120~315 = ± 1 >315~1000 = ± 1.6 ANGLES(角度) = $\pm 5^\circ$	CHECKED	 雅鈦企業有限公司 Aec Connectors Co., Ltd.
-	contact pin	1	beryllium copper	gold(3u")	CC-1031027B-6		DRAWN <i>Chad</i>	
-	body b	1	brass	gold	CC-1031027B-5			DATE 2016.02.23
-	insulator	1	PTFE	nature	CC-1031027B-4			FILE NO. DRAWINGR\FCC\CC-1002AGTG-SF6625
-	shell	1	brass	gold	CC-1031027B-3			
-	body a	1	brass	white	CC-1031027B-2			
-	c-ring	1	beryllium copper	gold	CC-1031027B-1			
NO.	Description	Unit	Materials	Finish	Drawing No.	SCALE 5 : 1	UNIT	MM