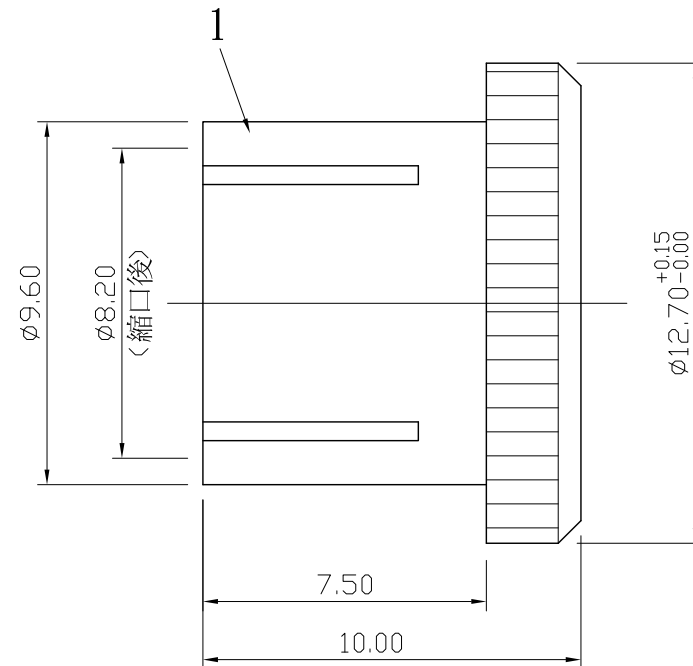
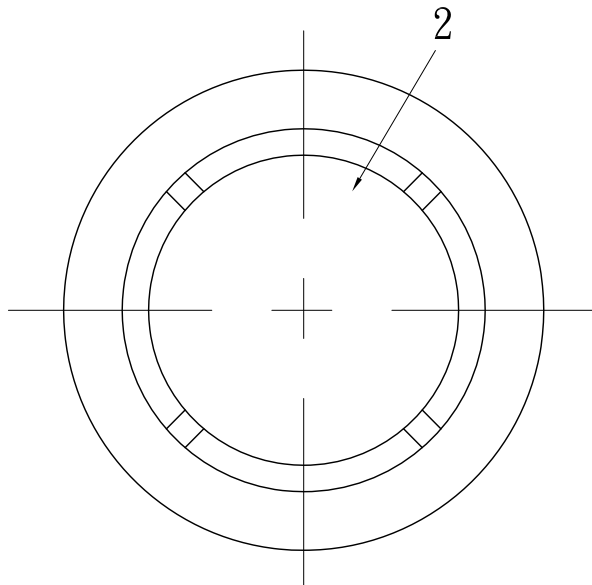



No.	DATE	DESCRIPTION	REV
△	2011. 12. 08	Design changes (設計變更)	A

REMARK : RoHS REQUIREMENT APPLIED
(符合RoHS)



S 1 : 1

7						DIMENSIONS ARE IN MILLIMETERS UNLESS OTHERWISE PECIFIED TOLERANCES (一般公差) 0.5~6 = ±0.2 >6~30 = ±0.4 >30~120 = ±0.6 >120~315 = ±1 >315~1000 = ±1.6 ANGLES(角度) = ±5°	CHECKED	 雅鈦企業有限公司 Aec Connectors Co., Ltd.	
6					DRAWN		TITLE		
5					<i>Tina</i>		CAP		
4							DATE	DRAWING NO.	
3							2011. 12. 08	CAP-RJ-101G-TEF	
2	insulator	1	teflon	white				FILE NO.	
1	body	1	brass	gold				DRAWING\AUDIO\CAP\CAP-RJ-101G-TEF	
NO.	Description	Unit	Materials	Finish	Drawing No.	SCALE	5 : 1	UNIT	MM