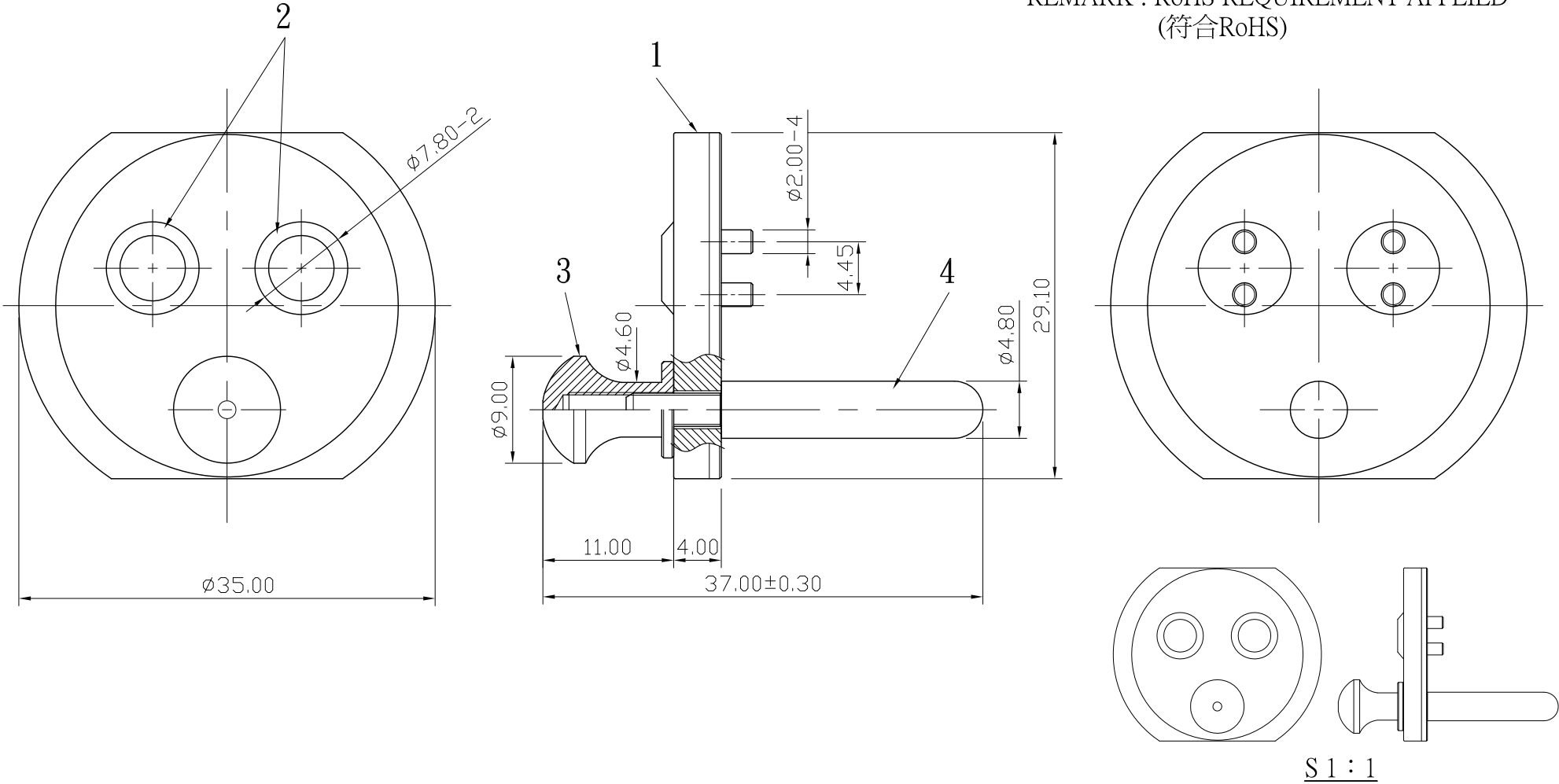



REMARK : RoHS REQUIREMENT APPLIED  
(符合RoHS)



7						DIMENSIONS ARE IN MILLIMETERS  UNLESS OTHERWISE PECIFIED TOLERANCES (一般公差) 0.5~6 = ±0.2 >6~30 = ±0.4 >30~120 = ±0.6 >120~315 = ±1 >315~1000 = ±1.6 ANGLES(角度) = ±5°	CHECKED	 雅鈦企業有限公司 Aec Connectors Co., Ltd.	
6					DRAWN <i>Tina</i>				TITLE CAP
5							DATE 2012. 02. 01		DRAWING NO. CAP-OC-101NG+P
4	contact pin	1	brass	nickel + topcoat			FILE NO. DRAWING\AUDIO\CAP\CAP-OC-101NG+P		
3	nut	1	brass	nickel + topcoat					
2	cover	2	brass	nickel + topcoat					
1	body	1	brass	gold + topcoat					
NO.	Description	Unit	Materials	Finish	Drawing No.	SCALE	2 : 1	UNIT	MM