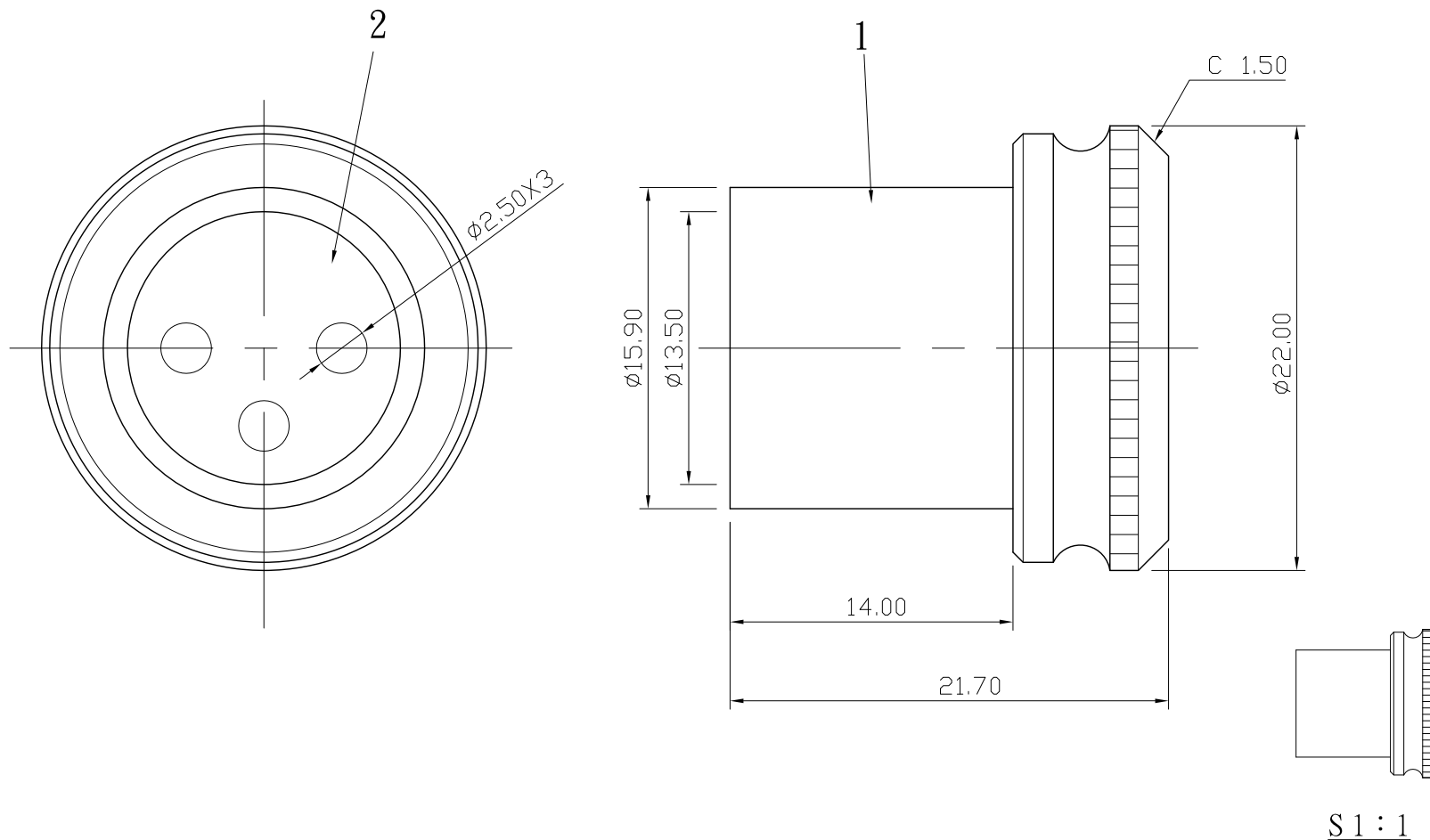



No.	DATE	DESCRIPTION	REV
△	2012. 03. 19	Drawing to renew 圖面更新	A

REMARK : RoHS REQUIREMENT APPLIED
(符合RoHS)



7						DIMENSIONS ARE IN MILLIMETERS UNLESS OTHERWISE PECIFIED TOLERANCES (一般公差) 0.5~6 = ± 0.2 >6~30 = ± 0.4 >30~120 = ± 0.6 >120~315 = ± 1 >315~1000 = ± 1.6 ANGLES(角度) = $\pm 5^\circ$	CHECKED	 雅鈦企業有限公司 Aec Connectors Co., Ltd.	
6							TITLE		CAP
5							DRAWN	DRAWING NO.	CAP-MI-101G-TEF-F
4							<i>Tina</i>	DATE	2010. 12. 21
3								FILE NO.	DRAWING\AUDIO\CAP\CAP-MI-101G-TEF-F
2	insulator	1	PTFE	white					
1	body	1	brass	gold					
NO.	Description	Unit	Materials	Finish	Drawing No.	SCALE	3 : 1	UNIT	MM