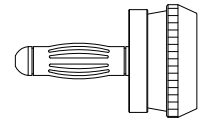
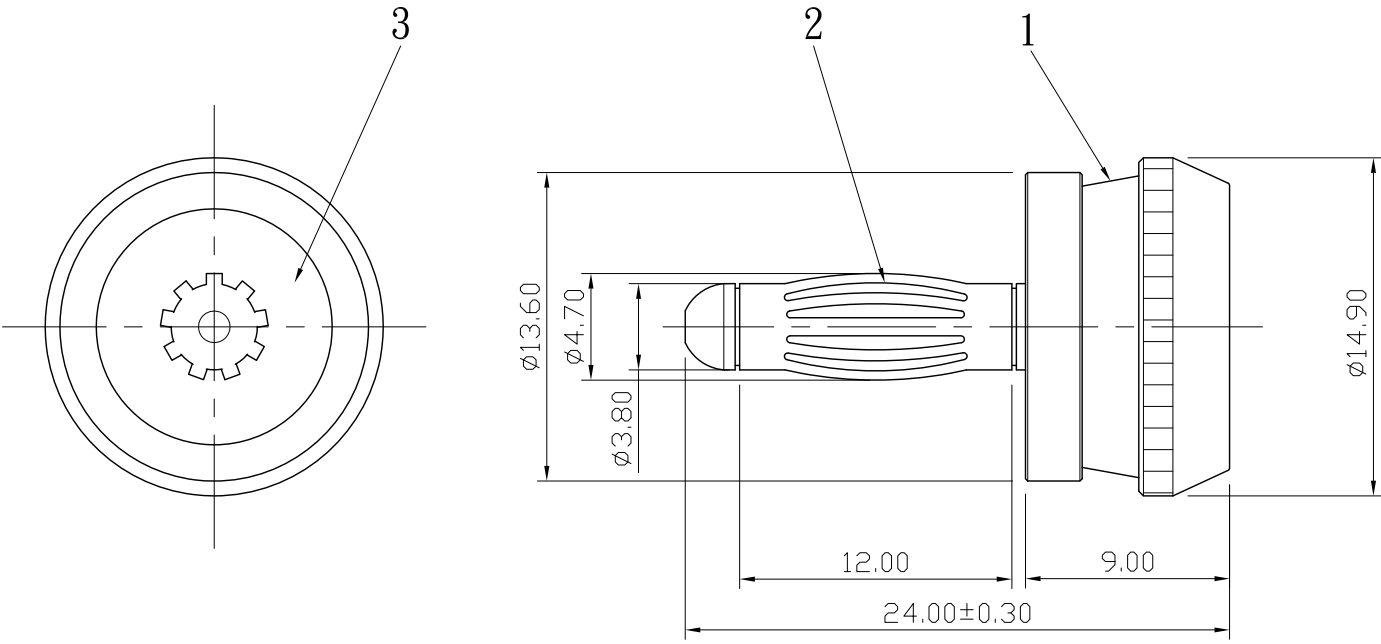



REMARK : RoHS REQUIREMENT APPLIED
(符合RoHS)



S 1 : 1

7						DIMENSIONS ARE IN MILLIMETERS UNLESS OTHERWISE SPECIFIED TOLERANCES (一般公差) 0.5~6 = ±0.2 >6~30 = ±0.4 >30~120 = ±0.6 >120~315 = ±1 >315~1000 = ±1.6 ANGLES(角度) = ±5°	CHECKED	 雅鈦企業有限公司 Aec Connectors Co., Ltd.	
6							TITLE		
5							DRAWN	CAP	
4							<i>Tina</i>	DRAWING NO.	
3	insulator	1	PTFE	white			DATE	CAP-BI-101GG(BeCu)-TEF	
2	contact pin	1	beryllium copper	gold			2011.08.22	FILE NO. DRAWING\AUDIO\CAP\CAP-BI-101GG(BeCu)-TEF	
1	body	1	brass	gold					
NO.	Description	Unit	Materials	Finish	Drawing No.	SCALE	3 : 1	UNIT	MM