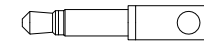
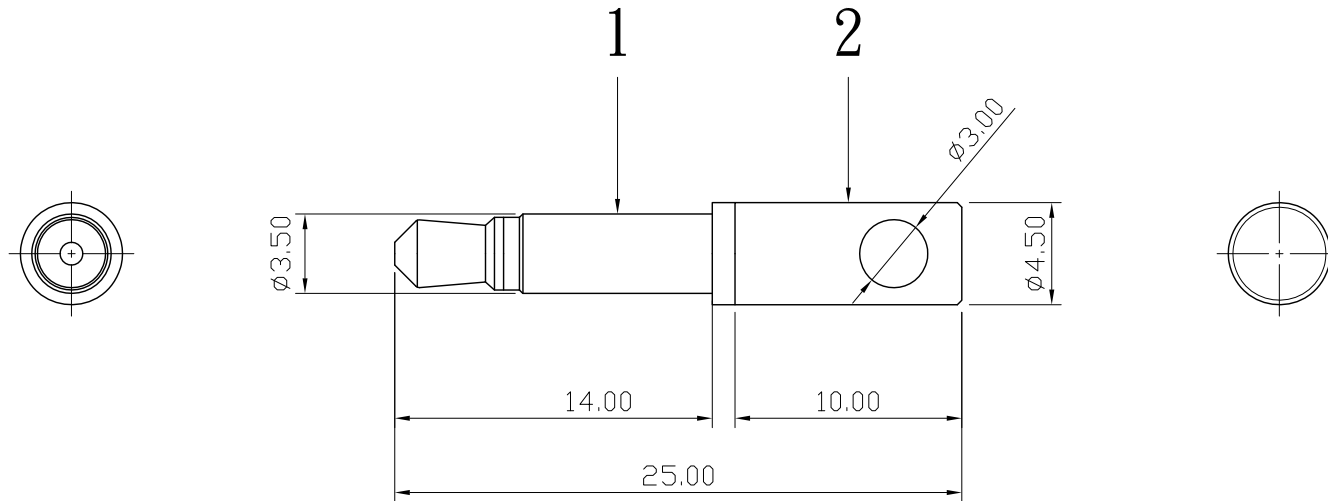



REMARK : RoHS REQUIREMENT APPLIED
(符合RoHS)



S 1 : 1

-						DIMENSIONS ARE IN MILLIMETERS UNLESS OTHERWISE PECIFIED TOLERANCES (一般公差) 0.5~6 = ±0.2 >6~30 = ±0.4 >30~120 = ±0.6 >120~315 = ±1 >315~1000 = ±1.6 ANGLES(角度) = ±5°	CHECKED	 雅鈦企業有限公司 Aec Connectors Co., Ltd.		
-										
-									TITLE	CAP
-									DRAWN	Sun
-									DATE	2014. 11. 24
2	shell	1	Aluminum	anodic treatment	SHELL-CAP-AP3.5-01AT			DRAWING NO.	CAP-AP3.5-01AT	
1	body	1	POM	black	BODY-CAP-AP3.5-01AT			FILE NO.	DRAWINGAUDIOCAPCAP-AP3.5-01AT	
NO.	Description	Unit	Materials	Finish	Drawing No.	SCALE	3 : 1	UNIT	MM	