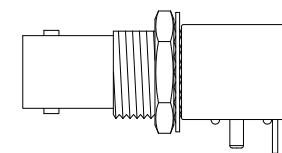
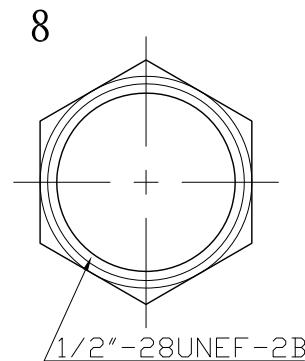
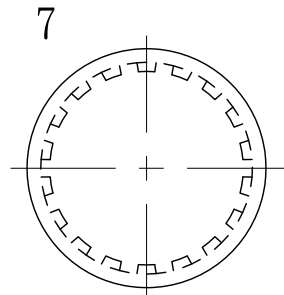
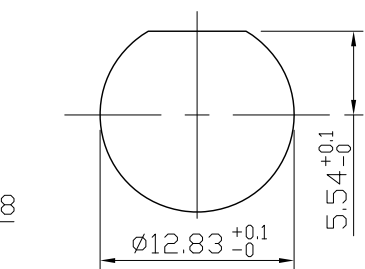
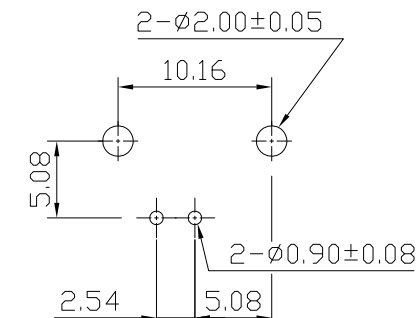
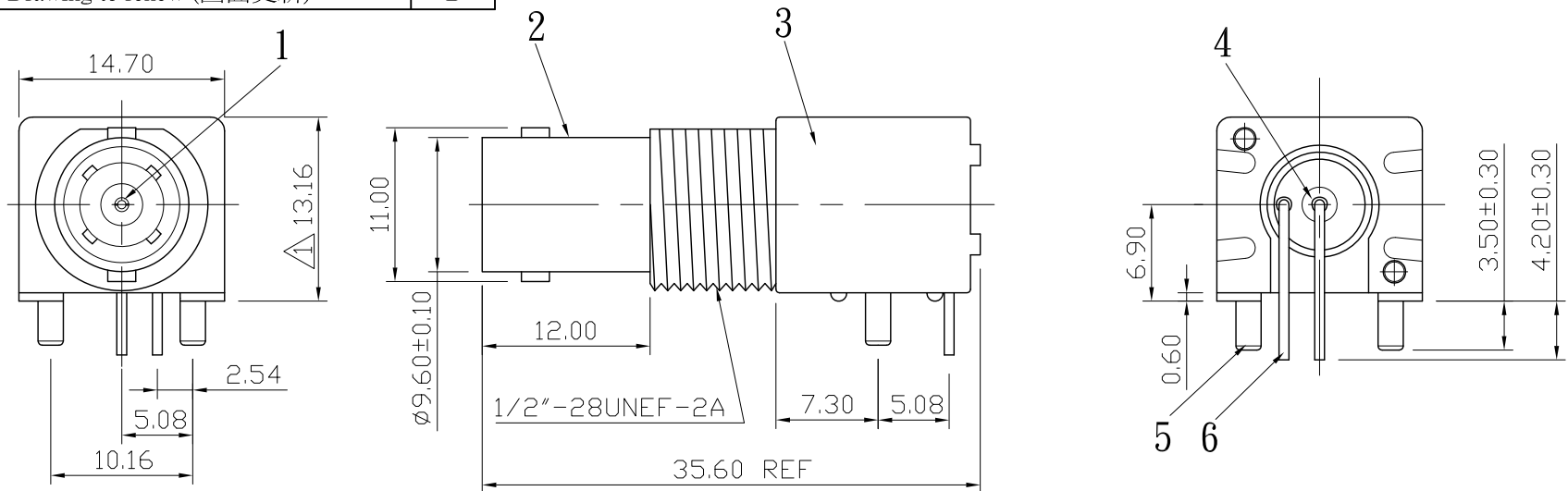


No.	DATE	DESCRIPTION	REV	REMARK : RoHS REQUIREMENT APPLIED (符合RoHS)	DATE	DRAWING NO.
△1	2011. 03. 31	Original dimention 13.10	A		2008. 09. 16	BC-251N(ZA)G(Br)-PE(50)-W+N
△2	2012. 01. 13	Drawing to renew (圖面更新)	B			




S 1 : 1

8	nut	1	brass	nickel	
7	washer	1	steel	nickel	
6	solder tail	1	copper	tin	
5	mounting post	2	bronze	tin	
4	insulator	1	PE-606	white	
3	shell	1	PBT	black	
2	body	1	zinc alloy	nickel	
1	contact pin	1	phosphor bronze	gold	
NO.	Description	Unit	Materials	Finish	Drawing No.

DIMENSIONS ARE IN MILLIMETERS
UNLESS OTHERWISE SPECIFIED
TOLERANCES
(一般公差)
0.5~6 = ±0.2
>6~30 = ±0.4
>30~120 = ±0.6
>120~315 = ±1
>315~1000 = ±1.6
ANGLES(角度) = ±5°

CHECKED

DRAWN
Tina
DATE
2008. 04. 07

 雅鈦企業有限公司
Aec Connectors Co., Ltd.

TITLE
BNC JACK PCB MOUNT

DRAWING NO.
BC-2051NEG-RA0025A

FILE NO.
DRAWING\FBC\BC-2051NEG-RA0025A