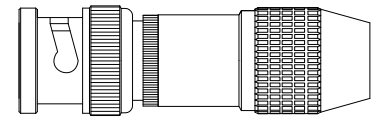
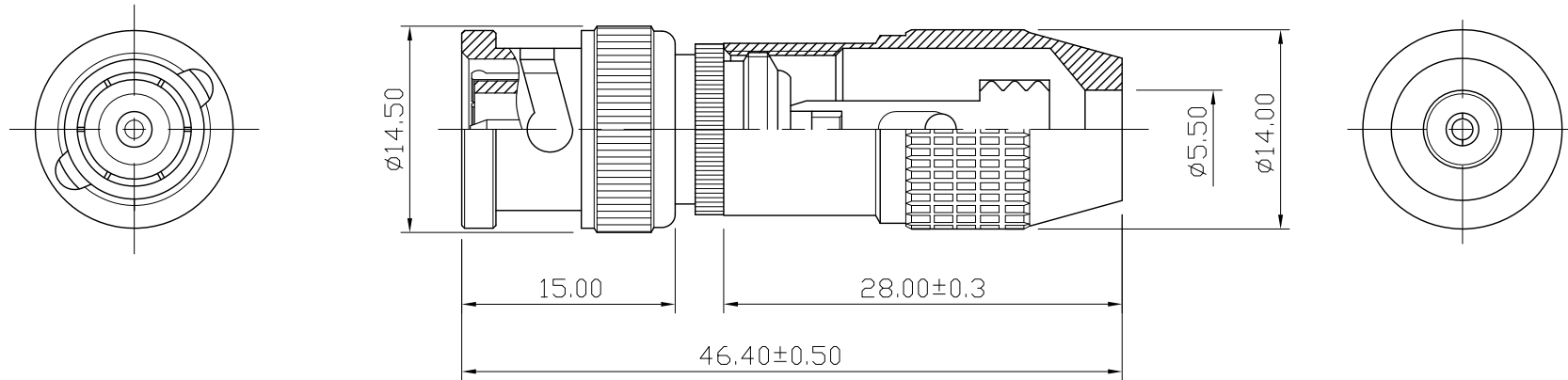


No.	DATE	DESCRIPTION	REV	REMARK : RoHS REQUIREMENT APPLIED (符合RoHS)	DATE	DRAWING NO.
-----	------	-------------	-----	---	------	-------------




S 1 : 1

-	insulator	1	teflon	white	
-	gasket	1	rubber	red	
-	washer	1	steel	nickel	
-	spring washer	1	sk-5	nickel	
-	washer	1	steel	nickel	
-	insulator	1	teflon	white	
-	shell	1	brass	nickel	
-	shell	1	brass	nickel	
-	clip	1	brass	nickel	
-	contact pin	1	brass	gold	
-	body	1	brass	nickel	
NO.	Description	Unit	Materials	Finish	Drawing No.

DIMENSIONS ARE IN MILLIMETERS  
UNLESS OTHERWISE SPECIFIED  
TOLERANCES  
(一般公差)  
0.5~6 = ±0.2  
>6~30 = ±0.4  
>30~120 = ±0.6  
>120~315 = ±1  
>315~1000 = ±1.6  
ANGLES(角度) = ±5°

CHECKED  
  
DRAWN  
*Taylor*  
DATE  
2010. 07. 14

 雅鈦企業有限公司  
Aec Connectors Co., Ltd.

TITLE  
BNC MALE SOLDER TYPE

DRAWING NO.  
BC-2001NTG-SF1115

FILE NO. DRAWING\RF\BC\BC-2001NTG-SF1115