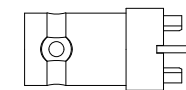
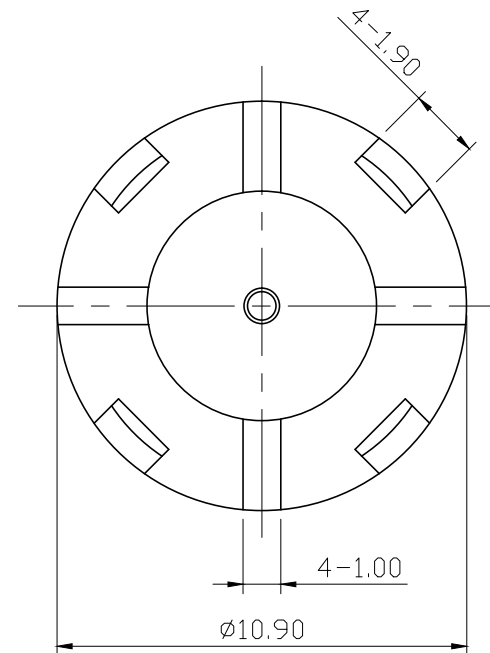
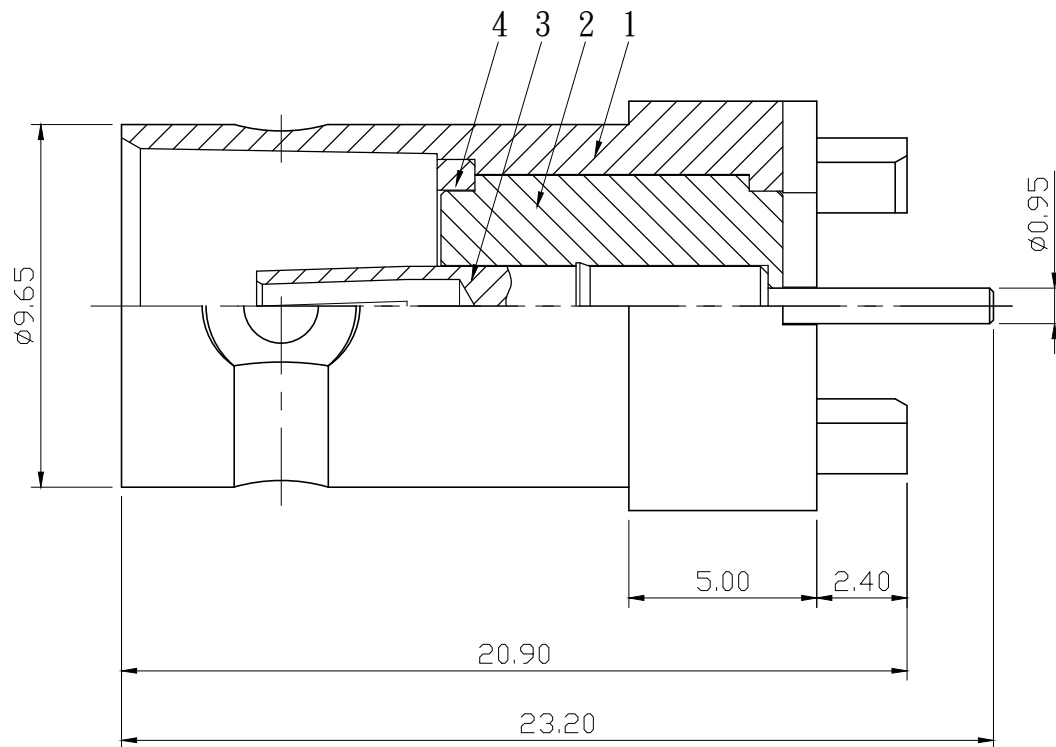



No.	DATE	DESCRIPTION	REV	REMARK : RoHS REQUIREMENT APPLIED (符合RoHS)	DATE	DRAWING NO.
-----	------	-------------	-----	---	------	-------------



S 1 : 1

7						DIMENSIONS ARE IN MILLIMETERS UNLESS OTHERWISE PECIFIED TOLERANCES (一般公差) 0.5~6 = ±0.1 >6~30 = ±0.15 >30~120 = ±0.2 >120~315 = ±0.3 >315~1000 = ±0.4 ANGLES(角度) = ±3°	APPROVED	 雅鈦企業有限公司 Aec Connectors Co., Ltd.
6					CHECKED			
5					DRAWN <i>Wing</i>			
4	ring	1	brass	nickel	OT14BR008A		TITLE BNC STR JACK FOR P.C.B	
3	contact pin	1	phosphor bronze	gold	BC03PB013A		DRAWING NO. BC-1053NTG-SA0027	
2	insulator	1	teflon	white	BC02TF006A		FILE NO. DRAWINGRFBVCBC-1053NTG-SA0027	
1	body	1	brass	nickel	BC01BR027A			
NO.	Description	Unit	Materials	Finish	Drawing No.	SCALE 5 : 1 UNIT MM	DATE 2008. 09. 04	